

General Notes

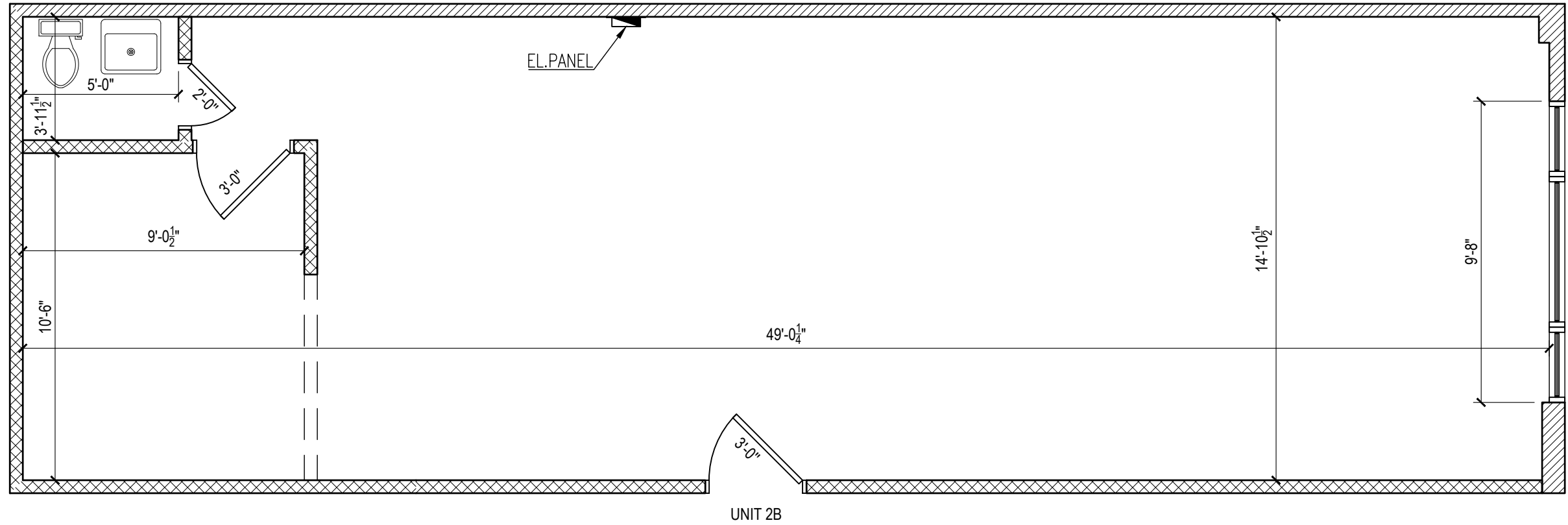
No.	Revision/Issue	Date

Firm Name and Address
CAD84
 493 FLUSHING AVE #18
 EMAIL: joel@cad84.com
 TEL. 718-930-8369

Project Name and Address
AS BUILT PLANS
 15 BAY 29 ST
 BROOKLYN NY
 UNIT 2A FLOOR PLAN

Project	Sheet
Date	A-001
Scale	1/4"=1'-0"

General Notes



No.	Revision/Issue	Date

Firm Name and Address

CAD84
 493 FLUSHING AVE #18
 EMAIL: joel@cad84.com
 TEL. 718-930-8369

Project Name and Address

AS BUILT PLANS
 15 BAY 29 ST,
 BROOKLYN NY
 UNIT 2B PLAN

Project	Sheet A-002
Date	
Scale 1/4"=1'-0"	