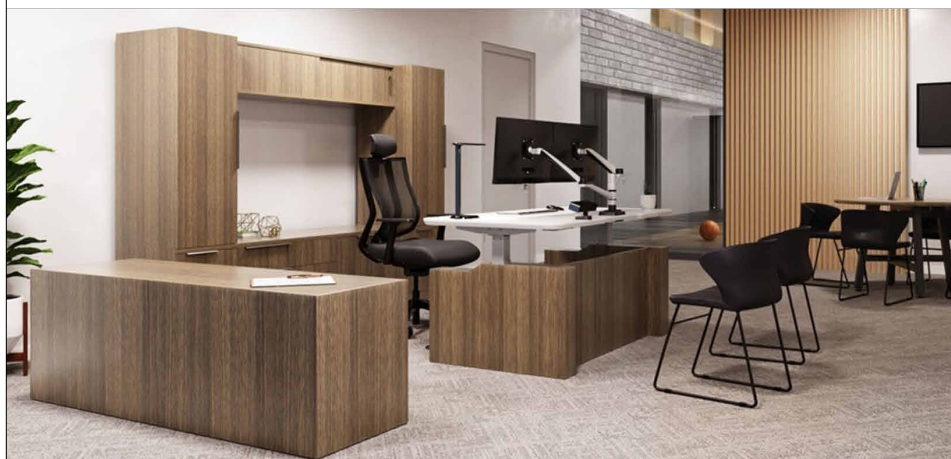
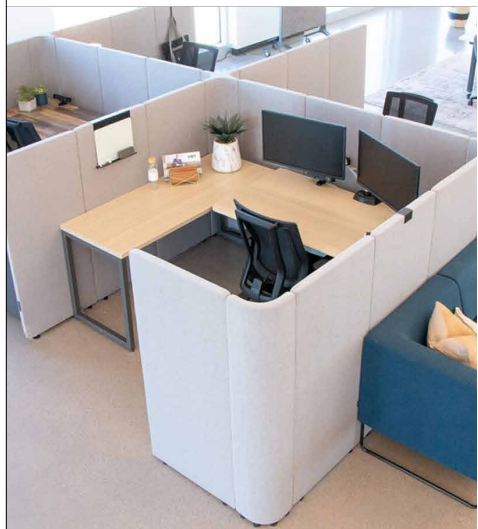




*ALL ILLUSTRATIONS, SCHEMATICS, DRAWINGS, CALL-OUTS, DIMENSIONS, SPECIFICATIONS, AND OTHER DETAILS REPRESENT DESIGN INTENT AND ARE FOR CONCEPTUAL USE ONLY. THEY SHOULD NOT BE USED FOR ARCHITECTURAL, ENGINEERING, OR CONSTRUCTION PURPOSES.



vari®

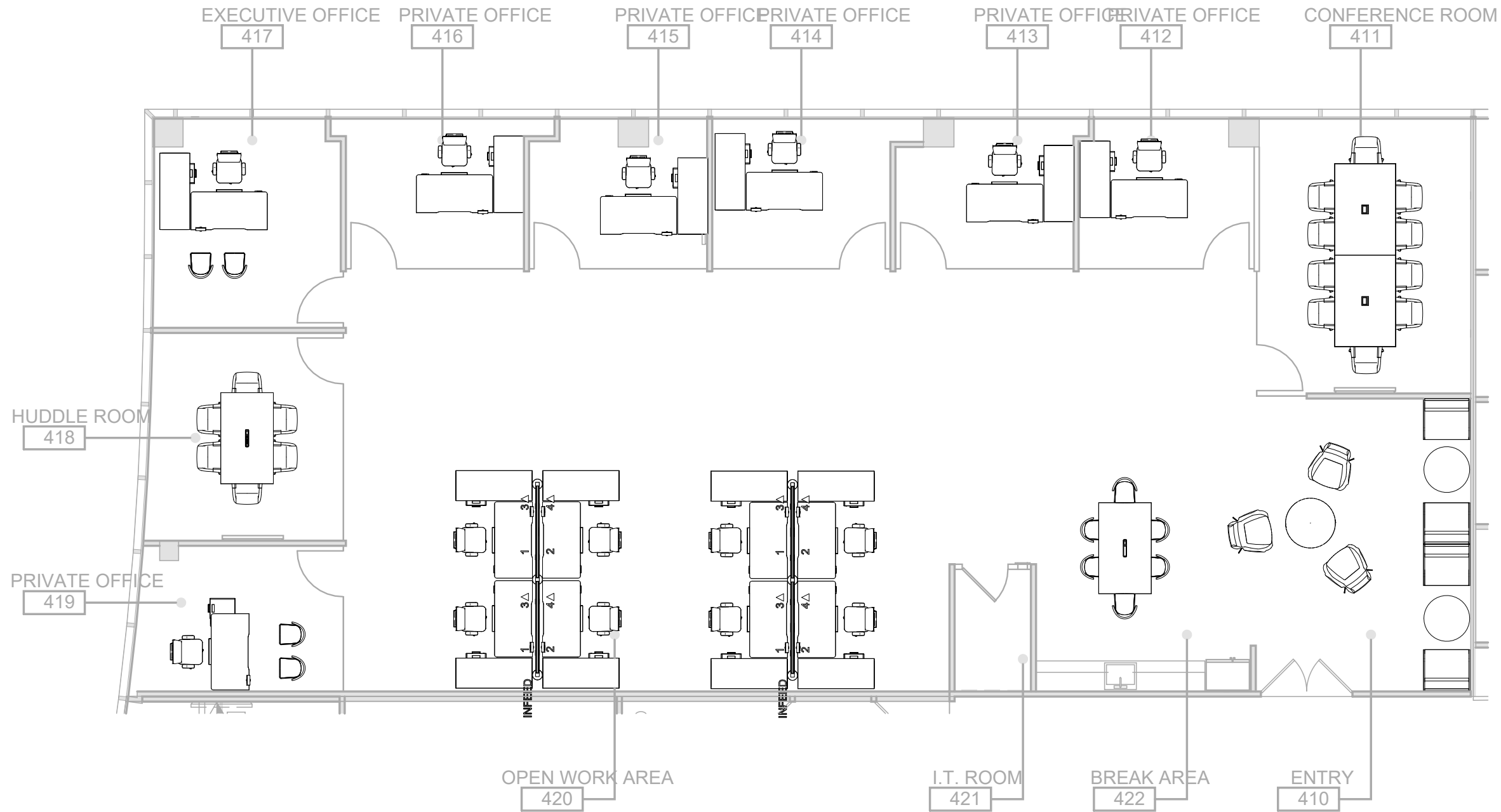
Artisan Ventures - Continental + Grand

El Segundo, CA

Table of Contents

A0	Cover Page
A1	Furniture Plan
A2	3D View
A3	Furniture Schedule
E2	Power Beam Notes
X1	General Notes

Interior Designer: Teri Crowson
CSM: Hartli Young
Sales Executive: Michelle Martinez
V.02
PD-0022367
25-237
04/04/2025
A0



Artisan Ventures - Continental + Grand

El Segundo, CA

Headcount: 15
Square Footage: 3,361

Interior Designer: Teri Crowson

CSM: Hartli Young

Sales Executive: Michelle Martinez

V.02

PD-0022367

25-237

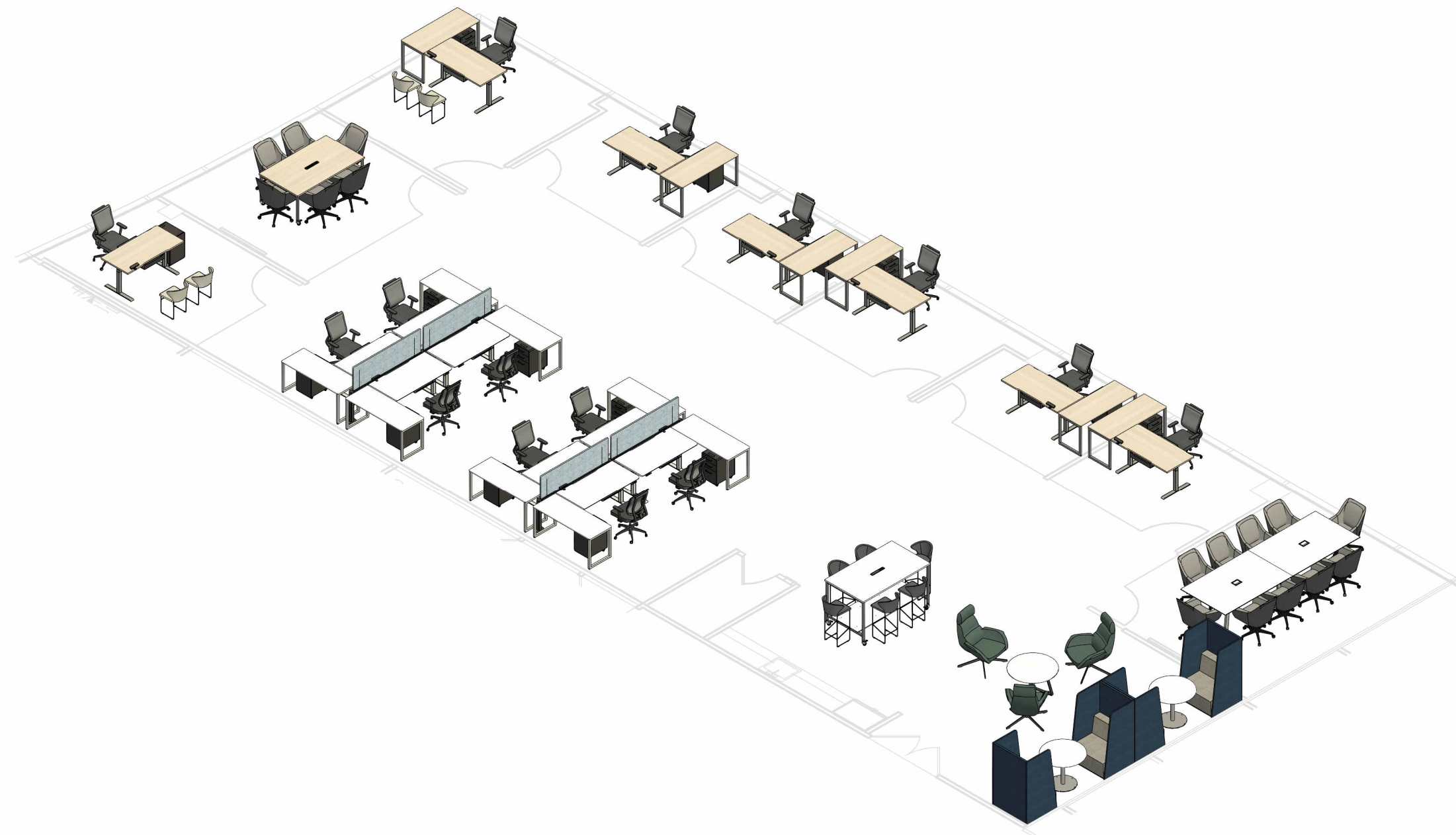
04/04/2025

A1

① Furniture Plan
1/8" = 1'-0"

Artisan Ventures - Continental + Grand

El Segundo, CA



1 3D Overall

Interior Designer: Teri Crowson

CSM: Hartli Young

Sales Executive: Michelle Martinez

V.02

PD-0022367

25-237

04/04/2025

A2

Artisan Ventures - Continental + Grand

El Segundo, CA

Furniture - Full Schedule			
Model	Description	Image	Qty
401049	High Back Chair (Light Grey & Navy)		4
401021	Large Nesting Table		1
402025	Lounge Chair (Moss Green)		3
402694	72" Beam Power Pack- Extension Kit		2
402693	72" Beam Power Pack- Starter Kit		2
400010	Beam 72 Extension Kit		2
400009	Beam Kit 72		2
400513	Dekko-12' Liquid Tight Whip		2
402695	Receptacle Pack (2+2)		4
402245	Conference Table (Light Wood)		1
402042	Disc Base Table Seated 36" Round - White		2
402299	ESD 60X30 ComfortEdge™ + Cable Tray (Light Wood)		7
402303	ESD 60X30 ComfortEdge™ + Cable Tray (White)		8
402040	Executive Conference Table - 4x12 White		1
402254	Standing Conference Table (White)		1
402230	Table 60x24 (Light Wood)		6
402234	Table 60x24 (White)		8
401941	72" Beam Privacy Panel		4
402722	Desk Drawer		15
400742	File Cabinet (Slate)		15
401797	Power Hub (Black)		15
401797	PowerHub		1
401037	Side Chair (Sand Grey Faux Leather Vinyl)		4
401383	Tall Side Chair (Shadow Grey Faux Leather Vinyl)		6
401493	Task Chair		15
401561	Upholstered Conference Chair		16

Interior Designer: Teri Crowson

CSM: Hartli Young

Sales Executive: Michelle Martinez

V.02

PD-0022367

25-237

04/04/2025

A3

GENERAL POWER NOTES:

- Vari electric sit/stand desks have individual plugsets and are not recommended to be daisy-chained to one another via power strips.
- Power requirements and usage per desk: 120V, 60 HZ; 3.8 amp 120V running draw.
- Client, architect, and/or general contractor should review and confirm all power locations shown and inform Vari designer of any known discrepancies prior to the start of construction and/or installation.
- Local electrical codes may vary. Please consult a qualified electrical contractor or engineer for the proper installation of all electrical components.

QUICKFLEX BEAM NOTES (HARDWIRED):

- QuickFlex Beam Power Packs include a 4-2-2, 8-Wire Shared Neutral Wiring System, Two Types Available: See 2+2 /3+1 Wiring Schematic for more detail.

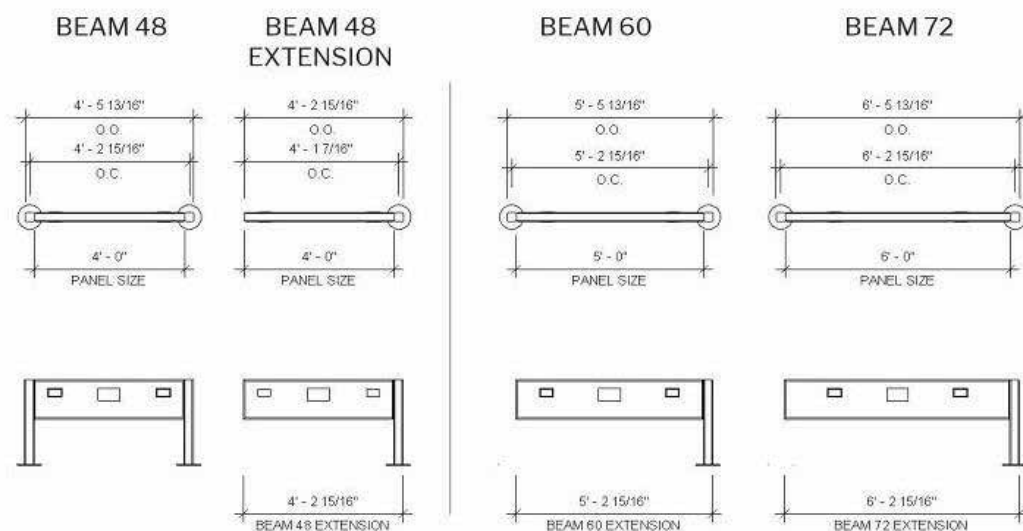
"2+2" - 2 Utility, 2 Dedicated Circuits (Most Common)
(2+2) = 10 beams MAX
4 CIRCUIT

1+2 UTILITY / 3+4 ISOLATED

"3+1" - 3 Utility, 1 Dedicated Circuits (Available Upon Request)
(3+1) = 5 beams MAX
4 CIRCUIT
1+2+3 UTILITY / 4 ISOLATED

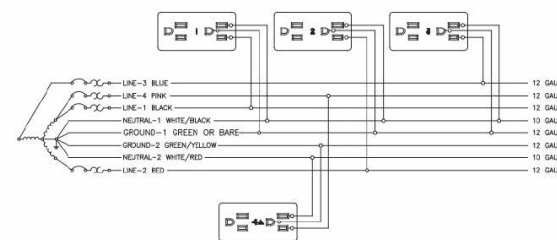
- All receptacles are 20 AMP circuit compatible.
 - Up to 13 receptacles per 20 AMP circuit @ 80% capacity
- Each Quick Flex Beam Power pack includes:
 - 2 distribution harnesses
 - 1 jumper for starter kits, 2 jumpers for extension kits
 - 8 harness screws
- Each Quick Flex Beam Receptacle pack includes:
 - 4 power receptacles
- QuickFlex Beams require one whip infeed per run of beams to pull in electricity. These **must** be hardwired and installed by a licensed electrician. Different lengths are available based on design layout.
- Whip infeed location(s) and length(s) require specification prior to installation to ensure appropriate power is connected for furniture.

QUICKFLEX BEAMS DIMENSIONS:

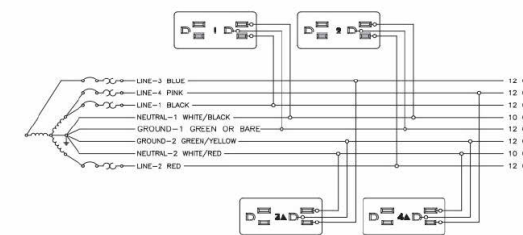


WIRING CONFIGURATIONS:

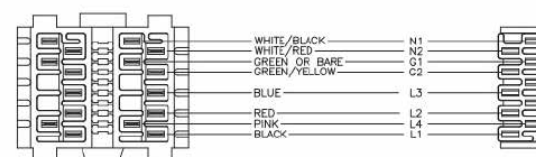
8-Wire Shared Neutral
"3 + 1" - 3 Utility circuits, 1 dedicated



8-Wire Shared Neutral
"2 + 2" - 2 Utility circuits, 2 dedicated

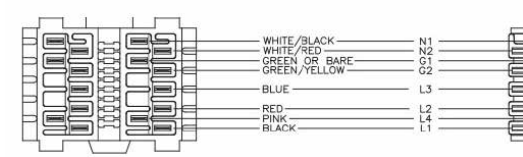


120/208V WYE
Delta Connections & Other Receptacle
Configurations Available Upon Request



WIRING ORDER 8-WIRE
4-2-2 (3 + 1)
DISTRIBUTION END VIEW

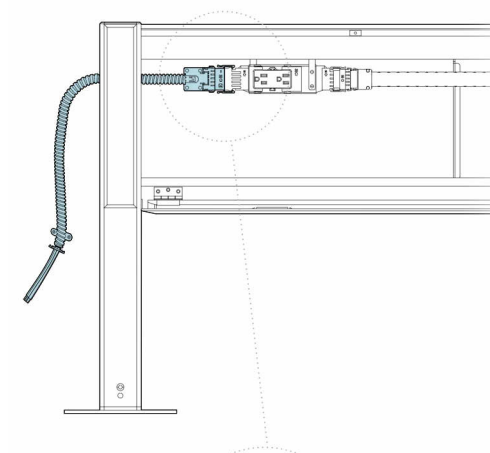
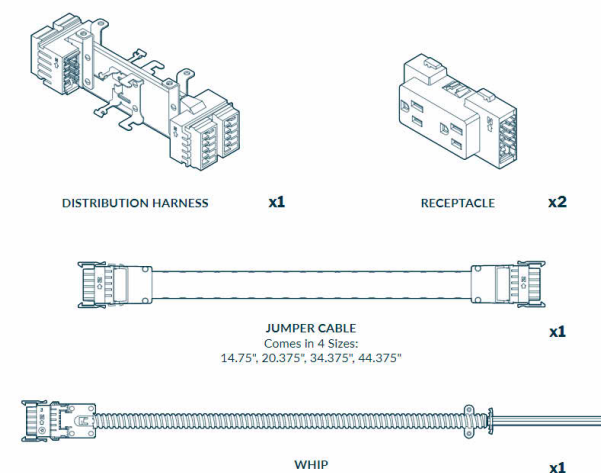
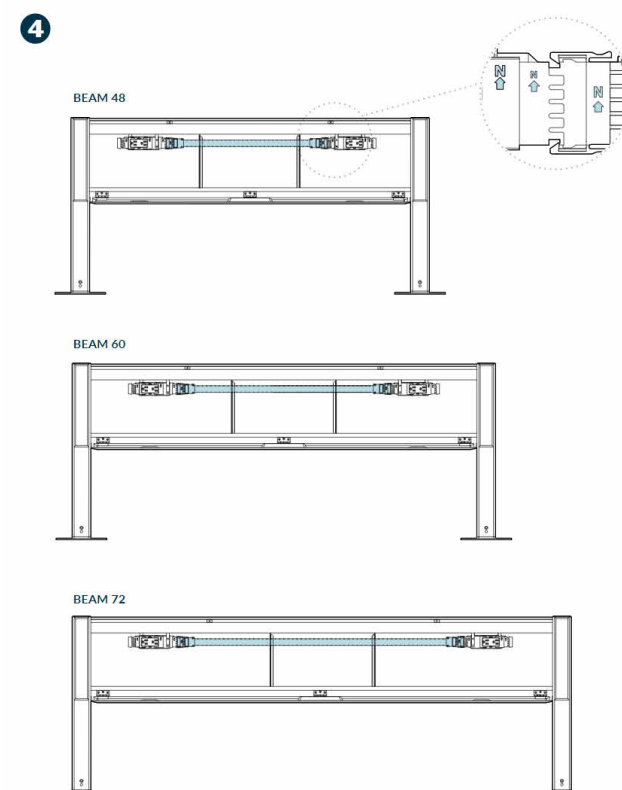
WIRING ORDER 8-WIRE
4-2-2 (3 + 1)
PLUG END VIEW



WIRING ORDER 8-WIRE
4-2-2 (2 + 2)
DISTRIBUTION END VIEW

WIRING ORDER 8-WIRE
4-2-2 (2 + 2)
PLUG END VIEW

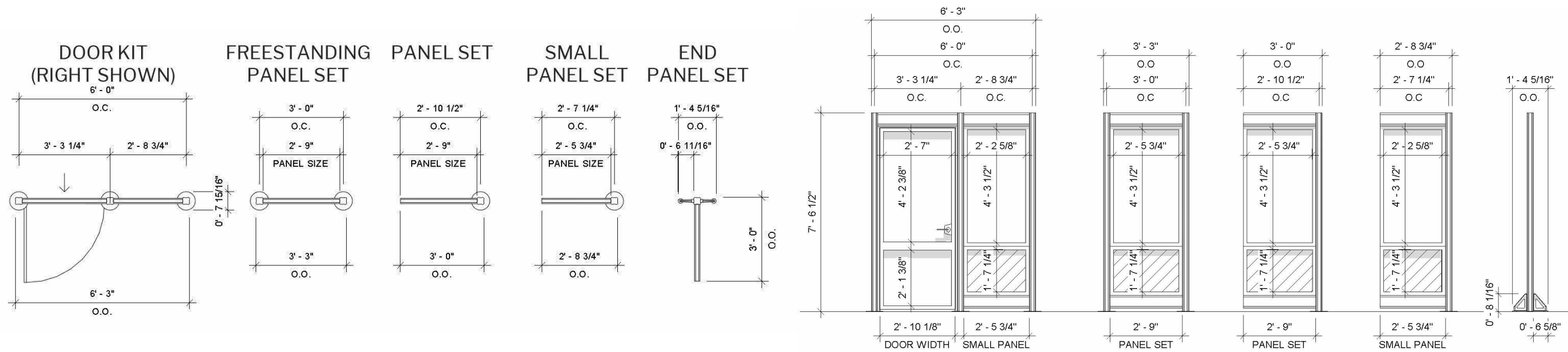
QUICKFLEX BEAM SECTION VIEWS:



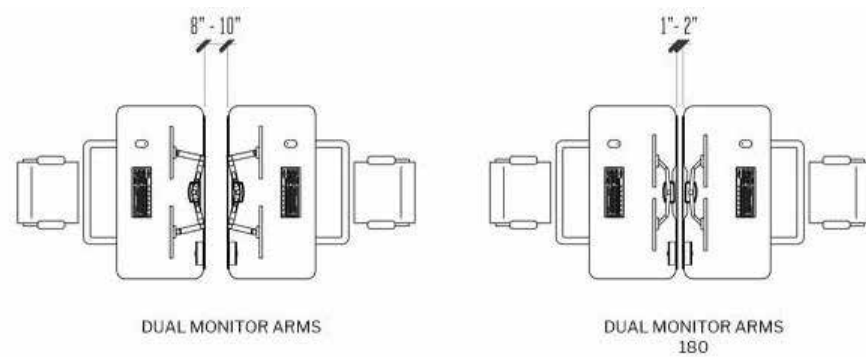
GENERAL PROJECT NOTES:

- Ceiling height confirmation needed to ensure QuickFlex walls are free and clear from any drop ceiling obstructions.
- Vari is not responsible for any violations in building, fire, or ADA codes. Always consult your local inspector prior to purchase of furniture to ensure all applicable regulations are satisfied.
- Dimensions shown are approximate and subject to field.
- Space plan is based solely on background drawings provided by others. This drawing should be used as a reference only.
- Electrical placement unknown. Recommended power location plan can be provided upon approval of **final** furniture layout.
- Please review at the time of installation all instructions and warranty information provided with purchased products. Any modifications or attachments not recommended by manufacturer may void the warranty.
- Each Electric Standing Desk requires a designated outlet.
- Vari Electric Standing Desks have individual plugsets and are not recommended to be daisy-chained to one another via power strips.
- Power requirements and usage per desk: 120V, 60 HZ; 3.8 amp 120V running draw.

QUICKFLEX WALLS™ SECTION VIEWS:



SUGGESTED MONITOR ARM SPACING



Artisan Ventures - Continental + Grand

El Segundo, CA

NTS

Interior Designer: Teri Crowson

CSM: Hartli Young

Sales Executive: Michelle Martinez

V.02

PD-0022367

25-237

04/04/2025

X1