

DOOR SCHEDULE							
No.	SIZE	MATERIAL	TYPE	HARDWARE	REMARKS		
1	3070x1-3/4'	GL MD	H.M.	B	-	AE5	
2	3070x1-3/4'	GL MD	H.M.	B	-	AE5	
3	3070x1-3/4'	GL MD	H.M.	B	-	AE5	
4	3070x1-3/4'	GL MD	H.M.	B	-	AE5	
5	3070x1-3/4'	GL MD	H.M.	B	-	AE5	
6	3070x1-3/4'	GL MD	H.M.	B	-	AE5	
7	3070x1-3/4'	GL MD	H.M.	B	-	AE5	
8	3070x1-3/4'	GL MD	H.M.	B	-	AE5	
9	3070x1-3/4'	GL MD	H.M.	B	-	AE5	
10	3070x1-3/4'	GL MD	H.M.	B	-	AE5	
11	3070x1-3/4'	GL MD	H.M.	B	-	AE5	
12	2870x1-3/4'	SC MD	H.M.	A	-	AE5	
13	3070x1-3/4'	SC MD	H.M.	A	45 MN	AEK5	
14	3070x1-3/4'	ALUM	C	-	GEL.MNO.S.T.Z	EXISTING DOOR AND FRAME - ADD DEADBOLT WITH 1/4" THUMB TURN	
15	3070x1-3/4'	MET	MET	B	40 MN	AEK5.T.Z	EXISTING DOOR AND FRAME - ANTI PRY PLATE - ADD SECURITY MODEL MBL-200, TEL-41-47, TL-51 DEADBOLT PING BAR
16	3070x1-3/4'	SC MD	H.M.	A	-	AEK5.T.Z	DEADBOLT WITH 1/4" THUMB TURN - ANTI PRY PLATE - REENGLUE AT 3'-0" A.F.F.

DOOR SCHEDULE NOTES (HARDWARE)

- A 1/2 PR. OF HINGES.
- B 2 PR. OF HINGES.
- C 3 PR. OF HINGES.
- D 4 PR. OF HINGES.
- E 1 LOCKSET
- F 2 LOCKSETS
- G 1 TOILET LOCKSET
- H 1 PASSAGE SET.
- J 2 PASSAGE SETS.
- K CLOSER.
- L 2 CLOSERS.
- M DEADBOLT W/ CYLINDER
- N ASTRAGAL.
- O AUTOMATIC FLUSH BOLTS.
- P PUSH/PULL
- Q KICK PLATE.
- R MOP PLATE.
- S DOOR STOP.
- T THRESHOLD - VINYL OR CARPET REDUCER STRIP.
- U STANDARD BI-FOLD ACTING HARDWARE.
- V STANDARD SLIDING DOOR HARDWARE.
- W STANDARD OVERHEAD ACTING HARDWARE.
- X STANDARD ROLL-UP ACTING HARDWARE.
- Y SPECIAL HARDWARE (NON-STANDARD DOORS).
- Z PANIC HARDWARE.
- ZI COORDINATOR.

SCHEDULE ABBREVIATIONS

- AL. = ALUMINUM.
- GL. = GLASS.
- H.C. = HOLLOW CORE.
- H.M. = HOLLOW METAL.
- MET. = METAL.
- S.C. = SOLID CORE.
- MD. = WOOD.
- M.O. = MASONRY OPENING.
- PR. = PLY.
- V.P. = VISION PANEL.
- D.N. = DRYWALL (GYPSUM WALLBOARD).

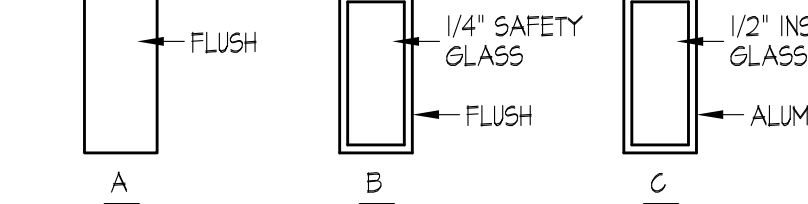
DOOR NOTES:

1. NO DOOR SHALL BE LOCKED IN THE DIRECTION OF EGRESS.
2. ALL WOOD DOORS SHALL BE STAIN GRADE MINAX RED CHESTNUT #232 FROM GOLD ROLLED STEEL, ALL FRAMES SHALL BE FACTORY PRIMED.
3. ALL METAL FRAMES SHALL BE FABRICATED FROM GOLD ROLLED STEEL, ALL FRAMES SHALL BE FACTORY PRIMED.
4. ALL FRAMES SHALL BE COMPLETE WITH SILENCERS.
5. ALL HARDWARE SHALL BE COMMERCIAL GRADE WITH A US26D FINISH.
6. ANTI PRY PLATE SHALL BE 10" LONG 3 1/2" WIDE 1/2 GAUGE THICKNESS.

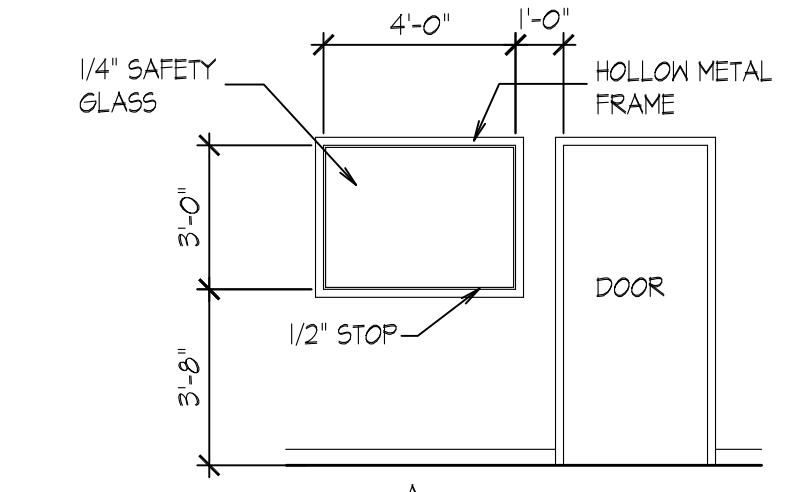
SIZE ABBREVIATIONS

- 3068 3'-0" x 6'-8"
- 3070 3'-0" x 7'-0"
- 10010 10'-0" x 10'-0"

DOOR TYPES



WINDOW TYPES



ALL INTERIOR WINDOWS AND GLASS DOORS (EXCEPT TEST ROOMS) SHALL BE EQUIPPED WITH BLINDS HAVING NON-CORRODING MECHANISMS AND SYNTHETIC TAPES. EACH WINDOW SHALL HAVE INDIVIDUAL BLINDS. BLINDS SHALL BE HUNTER DOUGLAS CONTRACT CD SERIES, STYLE: CD-80, COLOR: BRUSHED ALUMINUM ROES WITH 1" WIDE ALUMINUM HORIZONTAL SLAT WITH BEVELLED STEEL PROFILE OR APPROVED EQUAL. TEST AND INTERVIEW ROOM DO NOT GET BLINDS. SECURE BLINDS AT BOTTOM WITH METAL CLIPS TO PREVENT SKYING.

DOOR NOTES (HARDWARE)

- ALL HARDWARE SHALL BE EQUIVALENT TO THE FOLLOWING WITH A BRUSHED STAINLESS STEEL FINISH
1. HINGES: MCKINNEY 4-1/2"x4-1/2" MEDIUM DUTY
 2. LOCKSET WITH INTERIOR THUMB LATCH: HAGER STYLE 'AUGUST' GRADE 2 OR BETTER
 3. STOPS: IVES #436 DOME, FLOOR MOUNTED.

FINISH SCHEDULE AND NOTES

- ◆ FLOOR: CARPET TILE (NO PAD)
- ◆ BASE: 4" HIGH RUBBER BASE
- ◆ WALLS: DRYWALL - PAINTED
- ◆ CEILING: EXISTING 2"x4" SUSPENDED LAY-IN TILE CEILING (9'-0" ABOVE FINISH FLOOR)
- ◆ FLOOR: VINYL COMPOSITION TILE (V.C.T.)
- ◆ BASE: 4" HIGH RUBBER BASE
- ◆ WALLS: DRYWALL - PAINTED
- ◆ CEILING: EXISTING 2"x4" SUSPENDED LAY-IN TILE CEILING (9'-0" ABOVE FINISH FLOOR)
- ◆ FLOOR: PORCELAIN TILE - SEE NOTE B BELOW
- ◆ BASE: 6" HIGH PORCELAIN - SEE NOTE B BELOW
- ◆ WALLS: DRYWALL - PAINTED
- ◆ CEILING: EXISTING 2"x4" SUSPENDED LAY-IN TILE CEILING (9'-0" ABOVE FINISH FLOOR)

AUDIO/VIDEO EQUIPMENT

1. ONE HANXHA SMT-183, 18" WIDE HD LED COLOR MOTOR OR EQUIVALENT, LOCATED IN SECURITY CLOSER
2. MONITOR FEASIBLE TO CONTAIN AT A MINIMUM
 - i. 1866x768 RESOLUTION
 - ii. HIGH CONTRAST RATIO OF 1000:1
 - iii. FAST RESPONSE TIME - 5MS
 - iv. VIDEO INPUTS FOR EACH CAMERA WITH SEQUENTIAL SWITCHER
 - v. AUDIO INPUTS FOR EACH CAMERA
 - vi. VIDEO INPUT: HDMI, VGA, BNC (BNC VIDEO AND AUDIO)
 - vii. COMB FILTER
 - viii. NTSC/PAL
2. TWO VIZIO D-SERIES, 39" CLASS FULL ARRAY LED HDTV, MODEL # D5916-F0

FLOOR PLAN

SYMBOLS AND ABBREVIATIONS

- EXISTING CONSTRUCTION TO REMAIN.
- NEW DRYWALL PARTITION.
- FIELD VERIFY DIMENSION.
- WALL TYPE & PLAN NOTE - SEE NOTES.
- FINISH TYPE - SEE NOTES.
- DOOR NUMBER - SEE SCHEDULE.
- EXISTING DOOR TO REMAIN.
- NEW DOOR - SEE SCHEDULE.
- DETAIL LETTER.
- SHEET WHERE DETAIL IS LOCATED.

PLAN NOTES

- ◆ 5/8" GYPSUM WALLBOARD ON EACH SIDE OF 3-5/8" METAL STUDS @ 16" o.c. FROM THE FINISH FLOOR TO THE UNDERSIDE OF THE SUSPENDED CEILING ABOVE (9'-0" A.F.F.). WALLBOARD SHALL BE TAPED, SPACKLED AND SANDED READY FOR PAINTING. PROVIDE 3-1/2" UNFACED FIBERGLASS SOUND ATTENUATION BLANKETS IN THE WALL FOR THE FULL HEIGHT.
- ◆ 5/8" GYPSUM WALLBOARD ON EACH SIDE OF 3-5/8" METAL STUDS @ 16" o.c. FROM THE FINISH FLOOR TO THE UNDERSIDE OF THE SUSPENDED CEILING ABOVE (9'-0" A.F.F.). WALLBOARD SHALL BE TAPED, SPACKLED AND SANDED READY FOR PAINTING. PROVIDE 3-1/2" UNFACED FIBERGLASS SOUND ATTENUATION BLANKETS IN THE WALL FOR THE FULL HEIGHT.
- ◆ 5/8" MR. GYPSUM WALLBOARD ON EACH SIDE OF 3-5/8" METAL STUDS @ 16" o.c. FROM THE FINISH FLOOR TO THE UNDERSIDE OF THE SUSPENDED CEILING ABOVE (9'-0" A.F.F.). WALLBOARD SHALL BE TAPED, SPACKLED AND SANDED READY FOR PAINTING. PROVIDE 3-1/2" UNFACED FIBERGLASS SOUND ATTENUATION BLANKETS IN THE WALLS FOR THE FULL HEIGHT.
- ◆ 1 HOUR RATED UL 1449
- ◆ 5/8" TYPE 'X' GYPSUM WALLBOARD ON EACH SIDE OF 3-5/8" METAL STUDS @ 16" o.c. FROM THE FINISH FLOOR TO METAL DECK ABOVE. WALLBOARD SHALL BE TAPED, SPACKLED AND SANDED READY FOR PAINTING. PROVIDE 3-1/2" UNFACED FIBERGLASS IN THE WALLS FOR THE FULL HEIGHT.
- ◆ 5/8" GYPSUM WALLBOARD ON EACH SIDE OF 6" METAL STUDS @ 16" o.c. FROM THE FINISH FLOOR TO THE UNDERSIDE OF THE SUSPENDED CEILING ABOVE (9'-0" A.F.F.). WALLBOARD SHALL BE TAPED, SPACKLED AND SANDED READY FOR PAINTING. PROVIDE 3-1/2" UNFACED FIBERGLASS IN THE WALLS FOR THE FULL HEIGHT.
- ◆ 5/8" GYPSUM WALLBOARD ON EACH SIDE OF 6" METAL STUDS @ 16" o.c. FROM THE FINISH FLOOR TO THE UNDERSIDE OF THE SUSPENDED CEILING ABOVE (9'-0" A.F.F.). WALLBOARD SHALL BE TAPED, SPACKLED AND SANDED READY FOR PAINTING. PROVIDE 3-1/2" UNFACED FIBERGLASS IN THE WALLS FOR THE FULL HEIGHT.
- ◆ 5/8" GYPSUM WALLBOARD ON EACH SIDE OF 3-5/8" METAL STUDS @ 16" o.c. FROM THE FINISH FLOOR TO THE UNDERSIDE OF THE SUSPENDED CEILING ABOVE (9'-0" A.F.F.). WALLBOARD SHALL BE TAPED, SPACKLED AND SANDED READY FOR PAINTING. PROVIDE 3-1/2" UNFACED FIBERGLASS IN THE WALLS FOR THE FULL HEIGHT.

FINISH SCHEDULE AND NOTES

1. PATCH AND REPAIR EXISTING CONSTRUCTION DISTURBED BY THE NEW WORK.
2. ACOUSTIC TILE IS A 24"x48"x5/8" GLASS A FIGURED, WHITE LAY-IN TILE AS MANUFACTURED BY U.S.G. ACOUSTIC TILE OR EQUAL SUSPENDED IN AN EXISTING EXPOSED TEE GRID SYSTEM. NEW GRID AND TILE WHERE SHOWN SHALL MATCH EXISTING.
3. DRYWALL SHALL MEAN 5/8" GYPSUM WALLBOARD TAPED, SPACKLED, AND SANDED READY FOR PAINTING ON METAL STUDS @ 16" o.c. MAX UNLESS OTHERWISE NOTED. DRYWALL AND METAL STUDS SHALL BE INSTALLED PER MANUFACTURERS WRITTEN INSTRUCTIONS. PROVIDE MOISTURE RESISTANT WALLBOARD AT ALL MET WALLS.
4. ALL DIMENSIONS SHOWN ON THE PLAN ARE FINISH TO FINISH DIMENSIONS.
5. CARPET TILE: SHAM - U.S. NAVY RECRUITING STANDARD, #80063 COLOR: WATER GREEN, 64400 INSTALLATION METHOD: MONOLITHIC, INSTALLATION ADHESIVE: 'LOCKDOT' PRESSURE SENSITIVE RELEASE ADHESIVE CARPET TILE INSTALLATION SHALL BE MONOLITHIC WITH ALL ARROWS IN THE LEFT DIRECTION IRON WALKING INTO THE ENTRANCE OF THE SPACE.
6. PAINTING: PAINT SHALL BE BY SHERWIN WILLIAMS PAINT COMPANY, PROVIDE ONE COAT PRIMER AND TWO FINISH COAT.
 - WALL 1: UNITED STATES NAVY RECRUITING WHITE WITH LATEX-EGGSHELL FINISH
 - WALL 2: UNITED STATES NAVY RECRUITING BLUE WITH LATEX-EGGSHELL FINISH
 - TRIM: UNITED STATES NAVY RECRUITING WHITE WITH LATEX-SEMIGLOSS FINISH

1. VINYL COMPOSITION TILE: SHALL BE 12x12x8 COMMERCIAL GLUE DOWN TILE BY ARMSTRONG IMPERIAL TEXTURE STANDARD EXCELLEN COLOR: 94230 VICTORIA BLUE.
2. PORCELAIN TILE: SHALL BE 12x12 CROSSVILLE ECOCYCLE AMERICANA SERIES. PATTERN TO BE ONE-THIRD RUNNING BOND. COLOR: RAVI/6 PLYMOUTH ROCK GROUT: MAPEI II SAHARA BEIGE. BASE COVE SHALL BE CROSSVILLE AMERICANA RAVI/6 PLYMOUTH ROCK 6"x12" UNIVERSAL COVE BASE. GROUT SHALL BE SEALED.
3. VINYL RUBBER COVE BASE: SHALL BE JOHNSONITE RUBBER COVE 'BLACK' DG40 4" HIGH

SUBMITTALS

10.31.19	TENANT REVIEW RESP.
----------	---------------------

JOB No. 219-094

FILE

DATE 09.10.19

FLOOR PLAN

A1.1

"Professional Certification"
I certify that these documents were prepared or approved by me, and that I am a duly licensed architect under the laws of the State of Maryland, license number 8476, expiration date: 02.21.21."