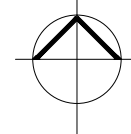
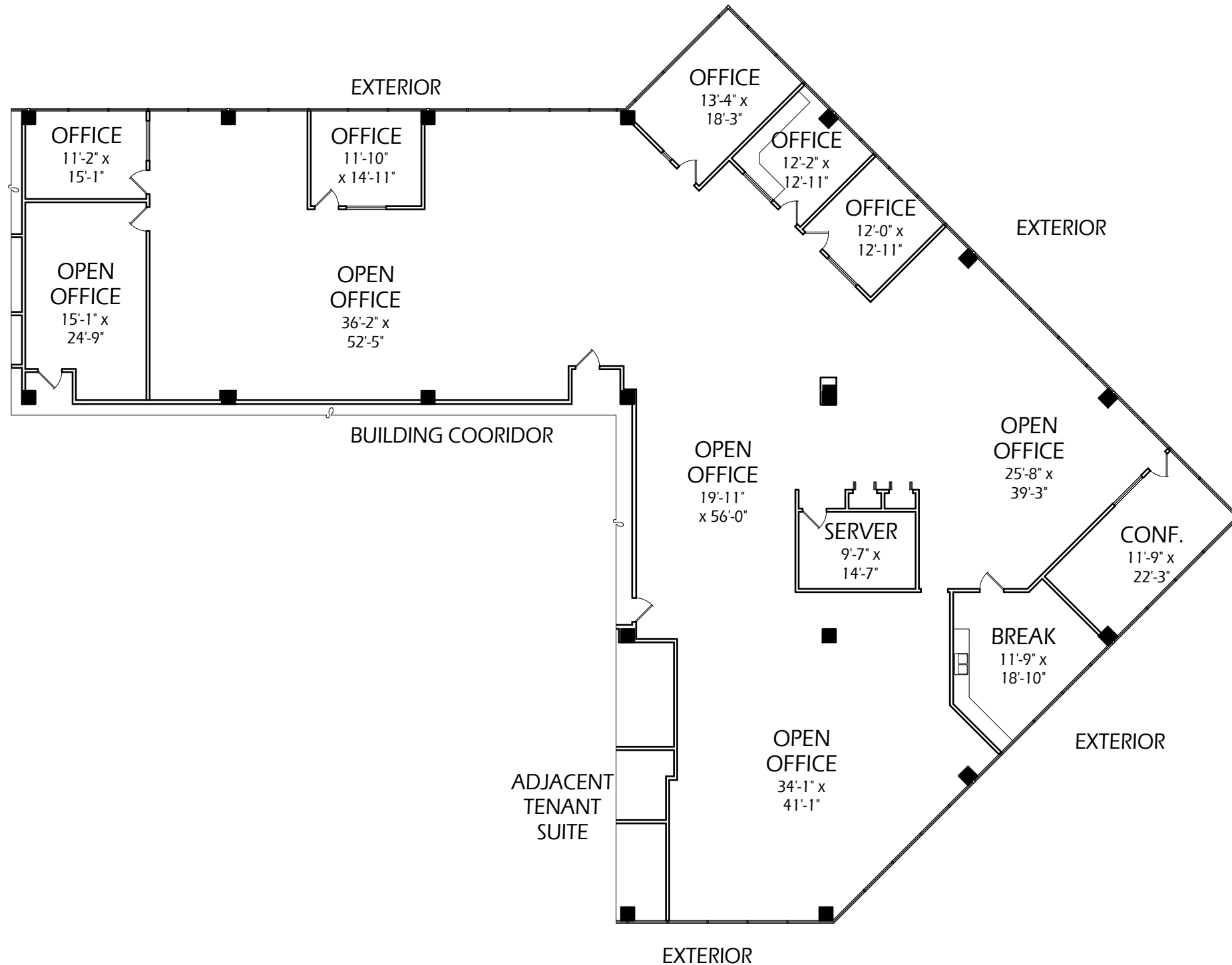


REFERENCE PLAN



Lane Architecture, P.A.
 904 Margaret Street
 Jacksonville, Florida 32204
 904.355.9020
 AR3518



FLOOR PLAN
 1/16" = 1'-0"

NORTH REGENCY ONE
 9485 REGENCY SQ. BLVD.
 0 2' 5' 10'
 SUITE 310 / 320
8,807 RSF
 10.28.2019