

**1200 N. DELSEA DR.
WESTVILLE, NJ
"PLAZA 47"**

DETAILED FLOOR PLANS



ROOMINDERS REAL ESTATE MARKETING

P 856.429.4233

WEB - WWW.ROOMINDERS.COM

C 609-504-2117

E JON@ROOMINDERS.COM

MEASURED BY JON HITCHNER 7.23.2024

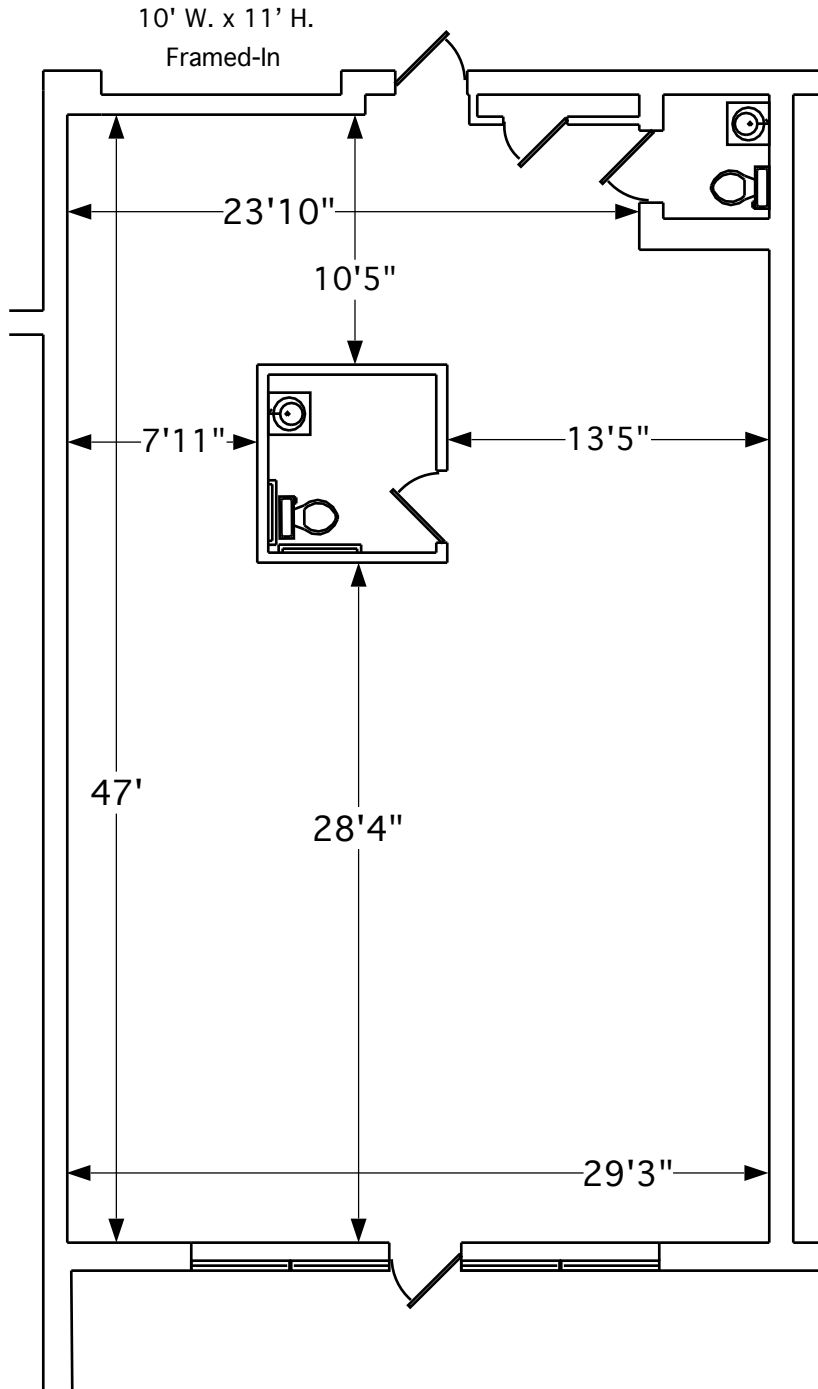
REVISED -

* ACTUAL MEASUREMENTS MAY VARY

* NOT TO BE USED FOR CONSTRUCTION PURPOSES

* POSITION OF WALLS AND FIXTURES ARE APPROXIMATE

* ONLY TO BE USED WITH WRITTEN PERMISSION



SUITE 10
1,500 SQ. FT.