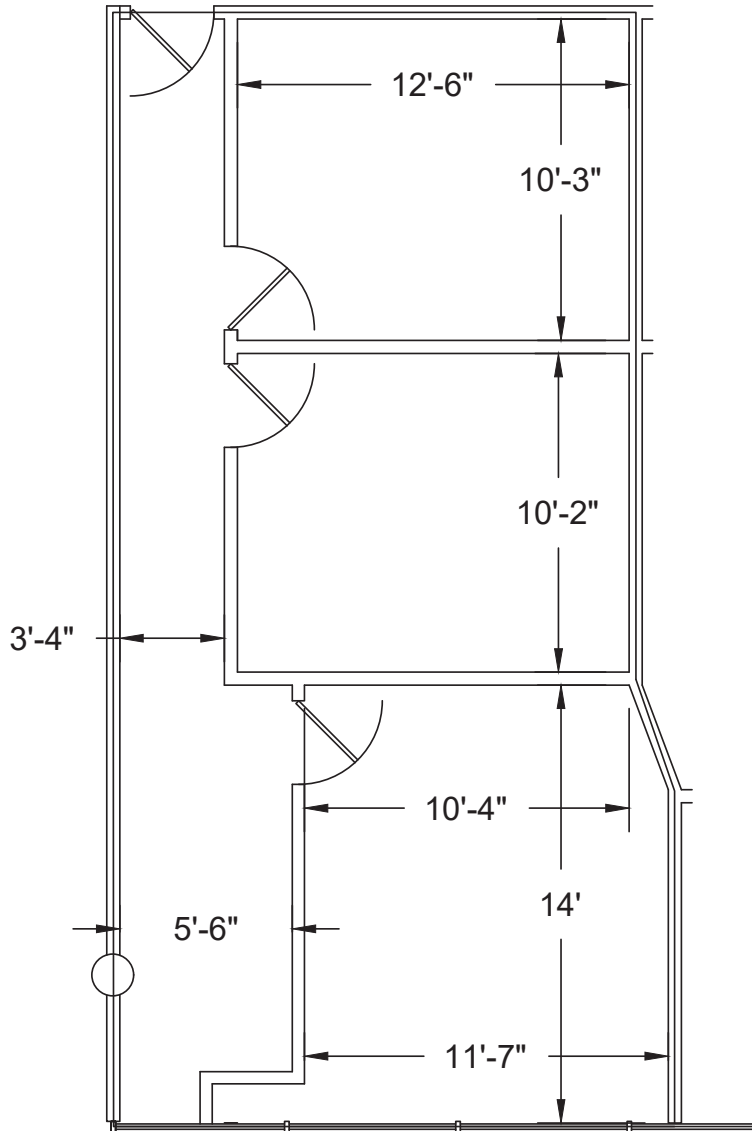
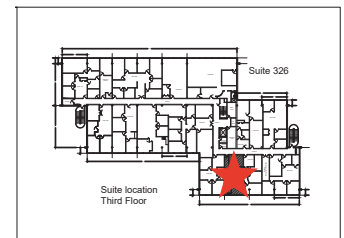


Suite 326 - 696 square feet

SCAN TO VIEW LISTING & VIDEO



KEY



The above floor plan is not to scale. The available space shown is believed to be correct but is subject to change.



Thomas Hernandez, SIOR, CCIM
(813) 494-4090 mobile
thernandez@ciminelli.com

