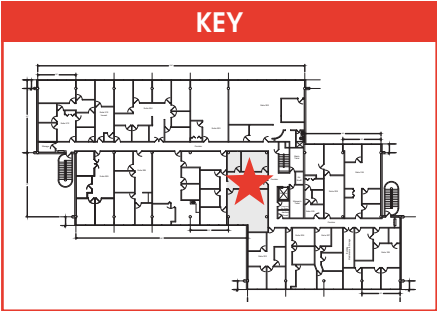
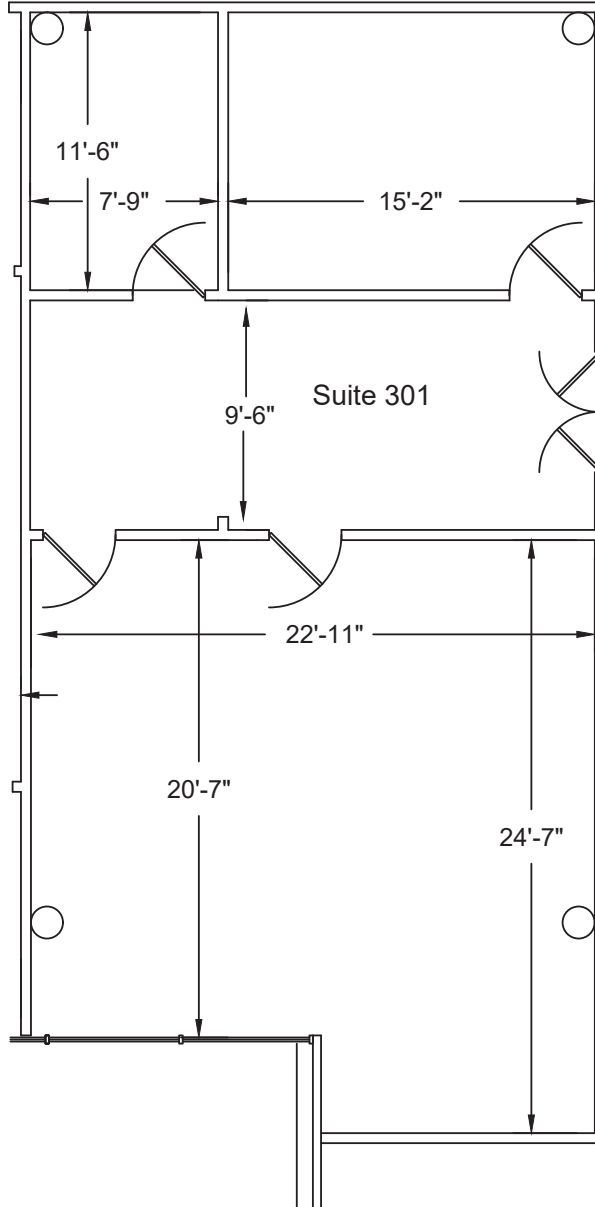


# Suite 301 - 1,334 square feet

SCAN TO VIEW LISTING & VIDEO



The above floor plan is not to scale. The available space shown is believed to be correct but is subject to change.



**Thomas Hernandez, SIOR, CCIM**  
(813) 494-4090 mobile  
thernandez@ciminelli.com

