

FOR LEASE

# SUNSET PLAZA

5905-6015 PACIFIC STREET, ROCKLIN, CA



PACIFIC ST

# SUNSET PLAZA



## LEASING CONTACT

**SEAN GALLINGER**

916.751.3604

sean.gallinger@kidder.com

LIC N° 01944291

[KIDDER.COM](http://KIDDER.COM)

 **Kidder  
Mathews**

The information contained in the following Marketing Brochure is proprietary and strictly confidential. It is intended to be reviewed only by the party receiving it from Kidder Mathews and should not be made available to any other person or entity without the written consent of Kidder Mathews.

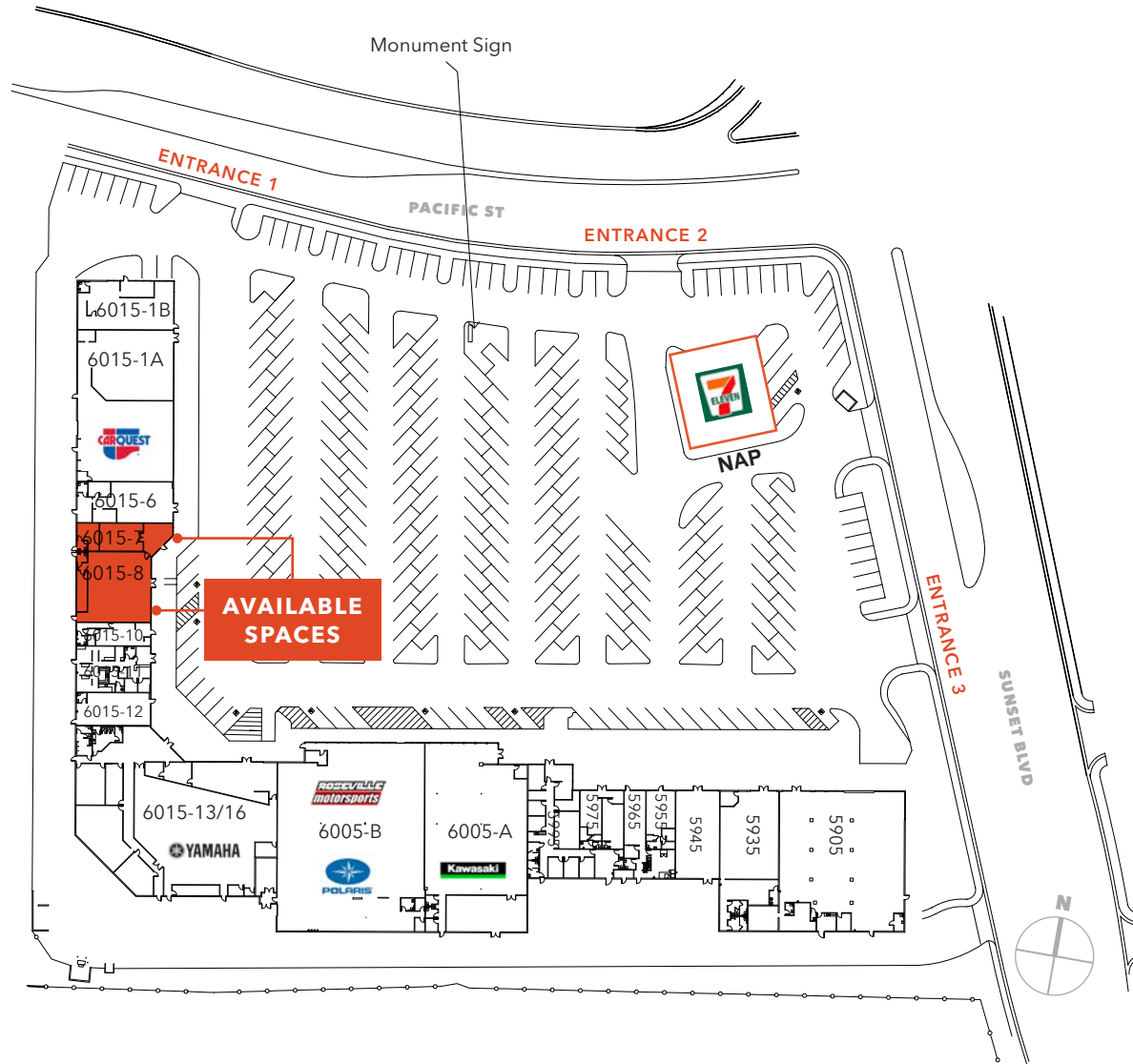
This Marketing Brochure has been prepared to provide summary, unverified information to prospective purchasers, and to establish only a preliminary level of interest in the subject property. The information contained herein is not a substitute for a thorough due diligence investigation. Kidder Mathews has not made any investigation, and makes no warranty or representation, with respect to the income or expenses for the subject property, the future projected financial performance of the property, the size and square footage of the property and improvements, the presence or absence of contaminating substances, PCB's or asbestos, the compliance with State and Federal regulations, the physical condition of the improvements thereon, or the financial condition or business prospects of any tenant, or any tenant's plans or intentions to continue its occupancy of the subject property. The information contained in this Marketing Brochure has been obtained from sources we believe to be reliable; however, Kidder Mathews has not verified, and will not verify, any of the information contained herein, nor has Kidder Mathews conducted any investigation regarding these matters and makes no warranty or representation whatsoever regarding the accuracy or completeness of the information provided. All potential buyers must take appropriate measures to verify all of the information set forth herein.

This information has been secured from sources we believe to be reliable. We make no representations or warranties, expressed or implied, as to the accuracy of the information. References to square footage or age are approximate. Recipient of this report must verify the information and bears all risk for any inaccuracies.

FOR LEASE

# Sunset Plaza

5905-6015 PACIFIC ST, ROCKLIN, CA



## Highlights

**SUITE 7/8** ± 3,633 SF

**LEASE RATE:** \$1.65/SF NNN

**NNN RATE:** \$0.42/SF

**CURRENT TENANTS:**

- Gifts and Smokes 4 Less
- Chloe's Studio Salon
- Carquest Auto Parts
- Spotlight Music Lessons
- Roseville Motorsports Sales and Servicing Dept
- Jasmine Donuts
- Wildflower Day Dreams Boutique

KIDDER.COM

This information supplied herein is from sources we deem reliable. It is provided without any representation, warranty, or guarantee, expressed or implied as to its accuracy. Prospective Buyer or Tenant should conduct an independent investigation and verification of all matters deemed to be material, including, but not limited to, statements of income and expenses. Consult your attorney, accountant, or other professional advisor.

**km** Kidder Mathews

FOR LEASE

# Sunset Plaza

5905-6015 PACIFIC ST, ROCKLIN, CA



KIDDER.COM

This information supplied herein is from sources we deem reliable. It is provided without any representation, warranty, or guarantee, expressed or implied as to its accuracy. Prospective Buyer or Tenant should conduct an independent investigation and verification of all matters deemed to be material, including, but not limited to, statements of income and expenses. Consult your attorney, accountant, or other professional advisor.

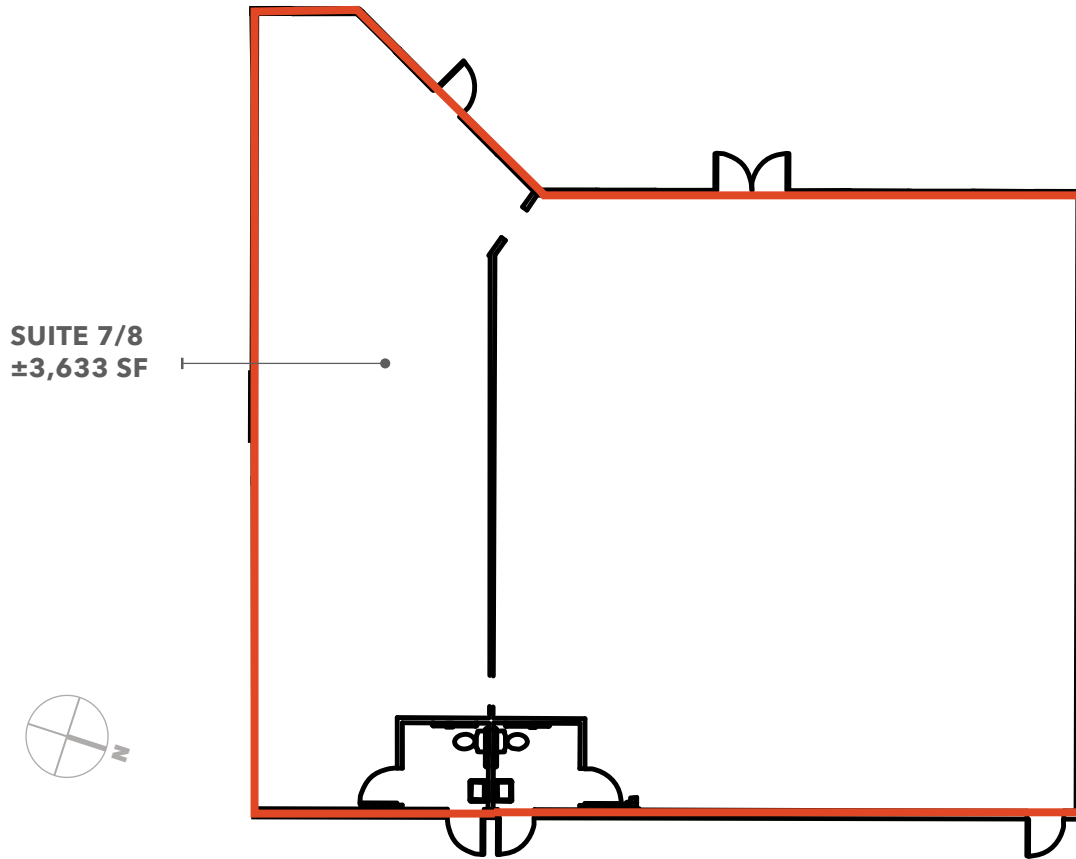
**km** Kidder Mathews

**FOR LEASE**

# Sunset Plaza

5905-6015 PACIFIC ST, ROCKLIN, CA

## Floor Plan - Suite 7/8



### AVAILABLE SPACE

Price	Notes
\$1.65 PSF, NNN	Open layout with two private restrooms and rear access

[KIDDER.COM](http://KIDDER.COM)

This information supplied herein is from sources we deem reliable. It is provided without any representation, warranty, or guarantee, expressed or implied as to its accuracy. Prospective Buyer or Tenant should conduct an independent investigation and verification of all matters deemed to be material, including, but not limited to, statements of income and expenses. Consult your attorney, accountant, or other professional advisor.



## LEASING CONTACT

**SEAN GALLINGER**  
916.751.3604  
sean.gallinger@kidder.com  
LIC N° 01944291



KIDDER.COM