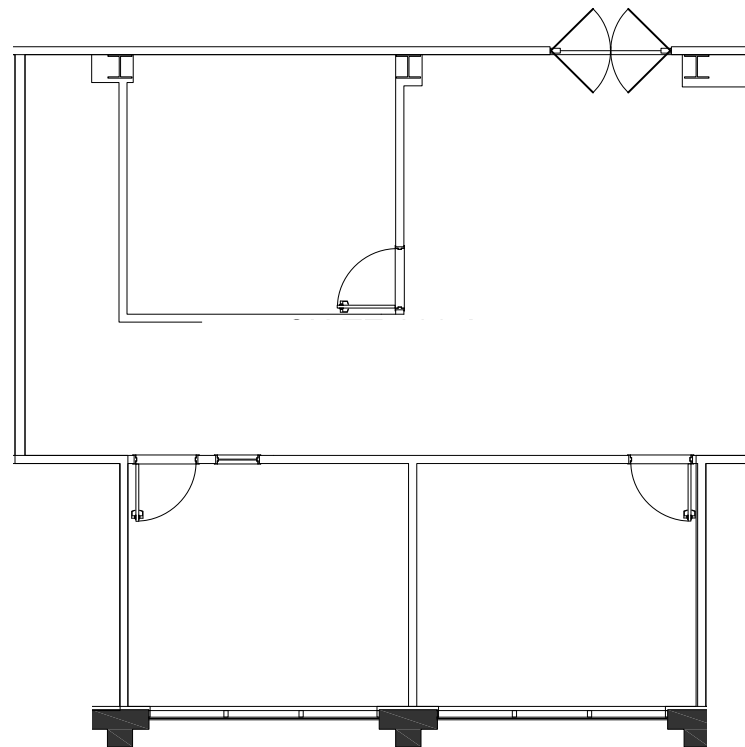


# Colonnade Plaza

1201 BRICKELL AVENUE, MIAMI, FL 33131

Suite 200A - 1,322 SF



JAKE FREEMAN  
305 372 8206  
jake.freeman@colliers.com

MAGGIE GUAJARDO KURTZ  
305 776 1442  
maggie.kurtz@colliers.com



Florida East Coast Realty, LLC  
60 Years/60 Million sq ft of construction

