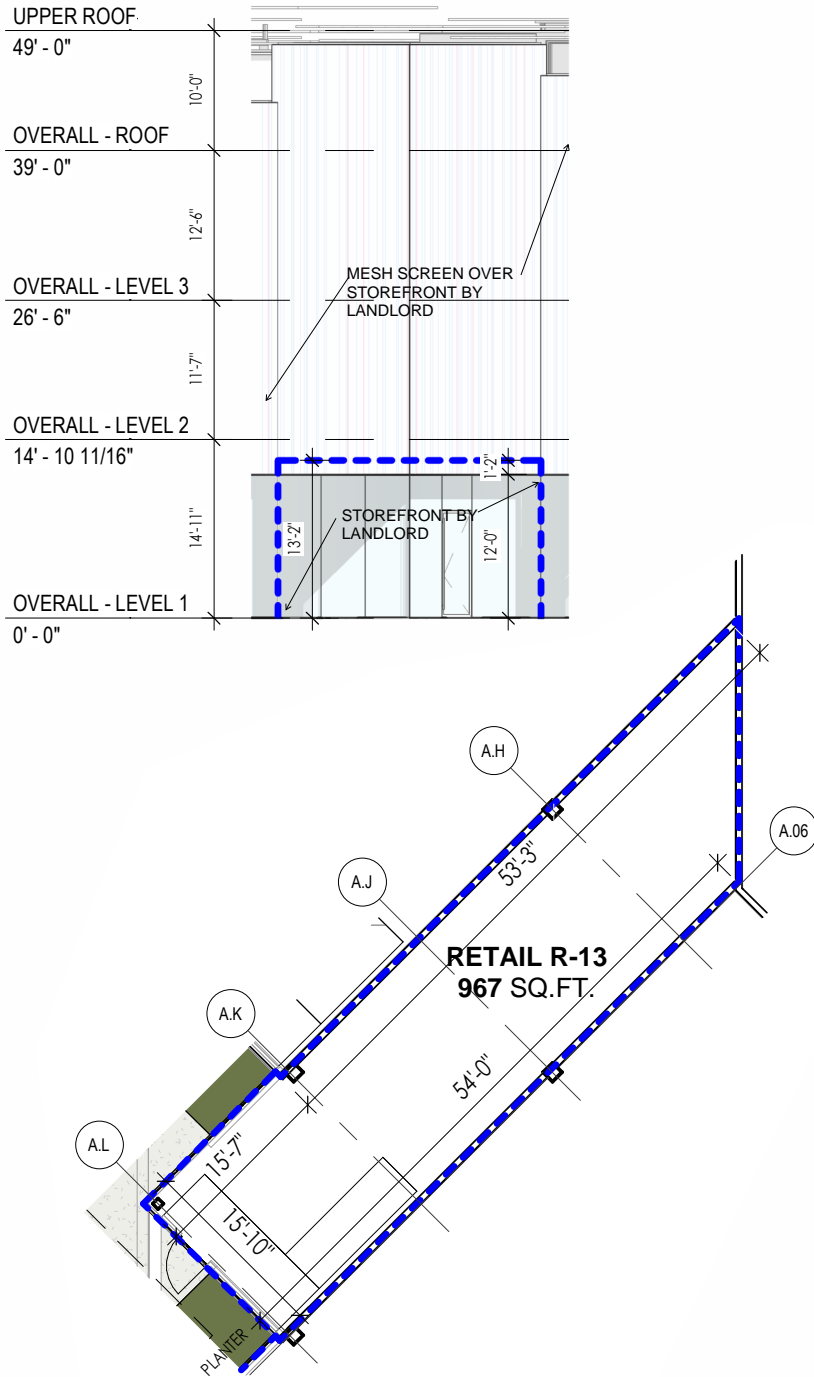


3 SOUTH ELEVATION - RETAIL R13 LOD

SCALE: 1/16" = 1'-0"



MIRAI

MIAMI DESIGN DISTRICT PROJECT
4200 - 4240 NE 2nd AVENUE, MIAMI, FL 33137

LOD RETAIL SPACE R-13

THE INFORMATION PROVIDED ON THE LOD IS BASED ON INFORMATION FOUND IN THE BASE BUILDING (VENDOR PACKAGE) CORRESPONDENCE OR WORKING DRAWINGS AND MAY NOT REFLECT FINAL "ON-SITE AS IS" CONDITION NOR ALL CONDITIONS THAT MAY RESULT FROM ON SITE ADJUSTMENTS DURING CONSTRUCTION. THE LOD IS NOT INTENDED TO REFLECT EVERY CONDITION WITHIN THE SPACE WITH RESPECT TO STRUCTURE & MEP ONE OFF CONDITIONS. ADDITIONALLY, SCHEMATIC DESIGN DEVELOPEMENT DRAWINGS ARE SUBJECT TO CHANGE AS THE PROJECT DOCUMENTS ARE FINALIZED. IT IS THE RESPONSIBILITY OF THE TENANT'S ARCHITECT AND CONTRACTOR TO FIELD VERIFY ALL INFORMATION PERTAINING TO THE PREMISES PRIOR TO COMMENCEMENT OF TENANT DRAWINGS & CONSTRUCTION.



TAG ARCHITECTURE LLC
PO Box 402332
Miami Beach, FL
305 866 8792
305 318 0670
jerry@Architecture-TAG.com

Copyright Statement:
All drawings and written material appearing herein are the original and unpublished work of TAG Architecture LLC, and may not be duplicated, used, or disclosed without the express written consent of TAG Architecture LLC. © 2023

