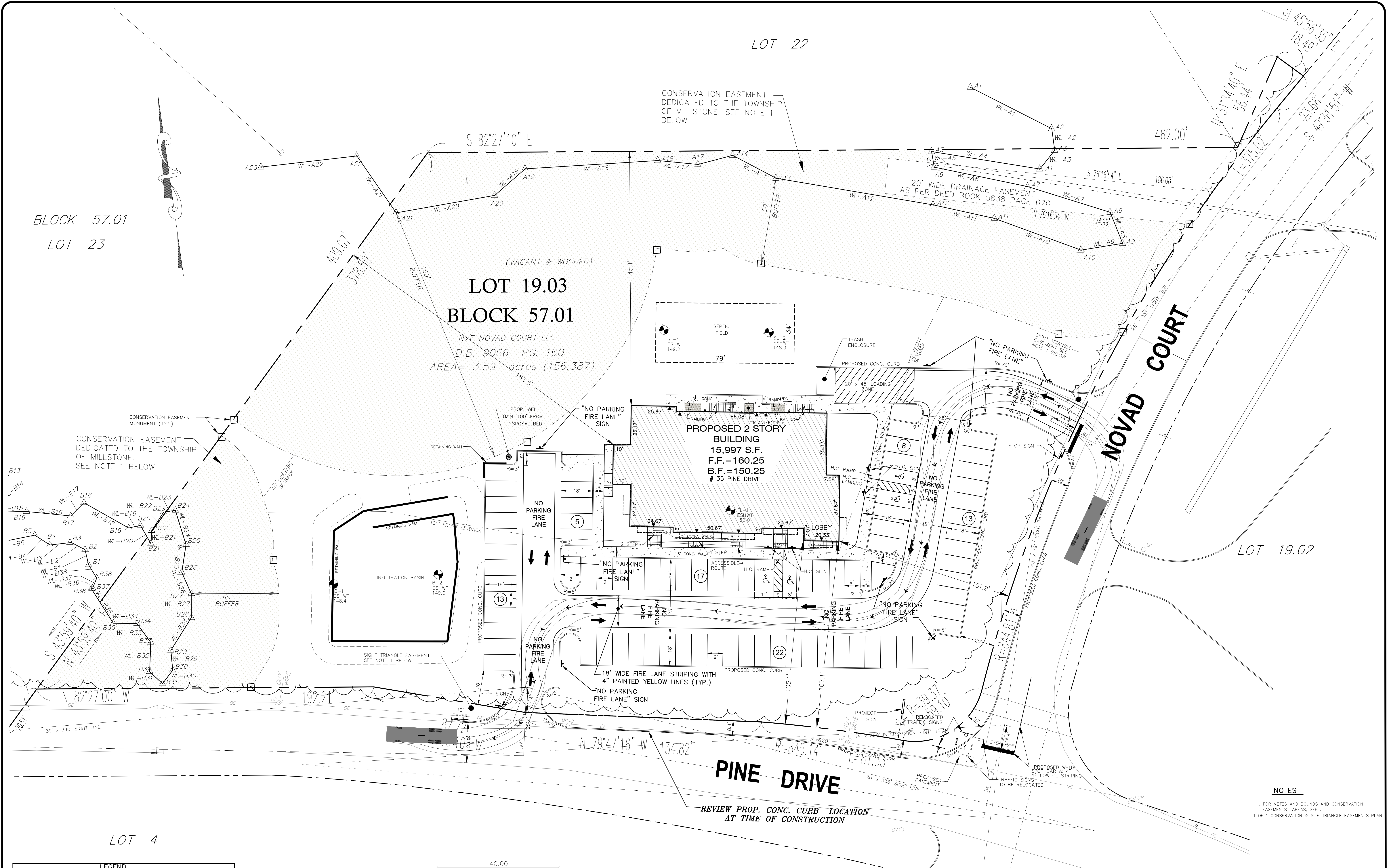


LOT 22

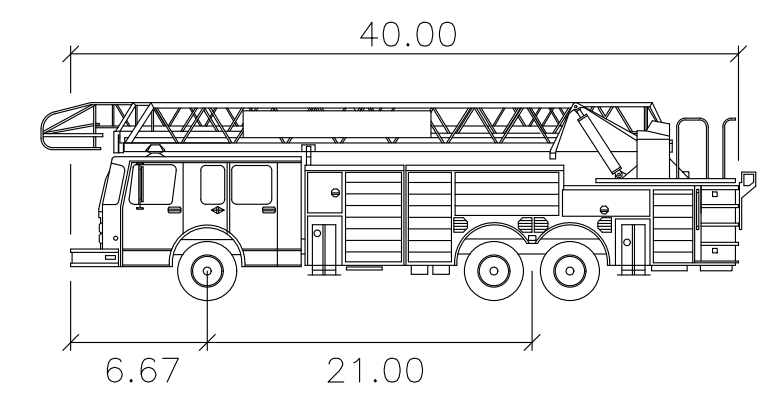
BLOCK 57.01
LOT 23

LOT 19.03
BLOCK 57.01
N/E NOVAD COURT LLC
D.B. 9066 PG. 160
AREA = 3.59 acres (156,387)



NOTES
1. FOR METES AND BOUNDS AND CONSERVATION EASEMENTS AREAS, SEE: 1 OF 1 CONSERVATION & SITE TRIANGLE EASEMENTS PLAN

LEGEND	
EXIST. TREE LINE	PROPOSED TREE LINE
EXIST. SANITARY MANHOLE	PROPOSED SURFACE FLOW DIRECTION
EXIST. INLET	PROPOSED LIMIT OF DISTURBANCE
EXIST. UTILITY POLE	PROPOSED INLET W/ SEDIMENT BARRIER
EXIST. FINE HYDRANT	PROPOSED SILT FENCE
EXIST. SPOT ELEVATION	PROPOSED SPOT ELEVATION
EXIST. WATER LINE	PROPOSED TOP CURB/GUTTER GRADE
EXIST. SANITARY SEWER	PROPOSED CONTOUR
EXIST. STORM SEWER	PROPOSED SANITARY SEWER MANHOLE
EXIST. CONTOUR	PROPOSED SANITARY SEWER
EXIST. FENCE	PROPOSED STORM SEWER MANHOLE
EX. TOP CURB/GUTTER GRADE	PROPOSED INLET
	PROPOSED STORM SEWER
	PROPOSED FLARED END SECTION
	PROPOSED WATER LINE
	PROPOSED WATER VALVE
	PROPOSED HYDRANT
	PROPOSED UTILITY POLE



FIRE TRUCK
Width : 8.50 feet
Track : 8.50 feet
Lock to Lock Time : 6.0 seconds
Steering Angle : 33.3 degrees

NO.	DESCRIPTION	DATE	BY
4.	REVISED FOR FIELD CHANGE TO ONE-WAY ENTRY	9/6/23	UC
3.	SUBMIT FOR RESOLUTION COMPLIANCE	3/2/23	PD
2.	REVISE PER FSCD LETTER OF 8/13/20	9/3/20	EA
1.	REVISE PER ENGINEER LTR. DATED 3/17/20 AND FIRE DISTRICT LTR. DATED 2/5/20	7/10/20	SH

CREST
Engineering Associates Inc.
Civil & Environmental Engineers
Professional Planners • Surveyors • Landscape Architects
• CERTIFICATE OF AUTHORIZATION NO. 246A27989300 •
100 RYE DRIVE
MILLSTONE TOWNSHIP, NJ 08550
PH: (609) 448-5550
12 ROBINS DRIVE
AT WATER STREET
TOWNSHIP, NJ 08853
PH: (732) 244-0888

LORALI E. TOTTEN
PROFESSIONAL ENGINEER NJ LIC. NO. 28662

APPLICATION NUMBER PB 19-03
PRELIMINARY & FINAL MAJOR SITE PLAN
NOVAD COURT, LLC (35 PINE DRIVE)
LOT 19.03
BLOCK 57.01
(TAX MAP SHEET 25)
MILLSTONE TOWNSHIP
MONMOUTH COUNTY, NEW JERSEY

SITE PLAN & CIRCULATION PLAN
SOIL EROSION AND SEDIMENT CONTROL PLAN

DATE: 12/10/2019
SCALE: 1"=20'
DRAWN: DG
CHECKED:
SHEET: 3 OF 9
POCKET:

K:\5501-0000\5667\DESIGN PLANS\CDD\5667 SITE PLAN - UPDATED.dwg, 9/27/2023 9:18:02 AM, AutoCAD PDF (General Documentation).pc3