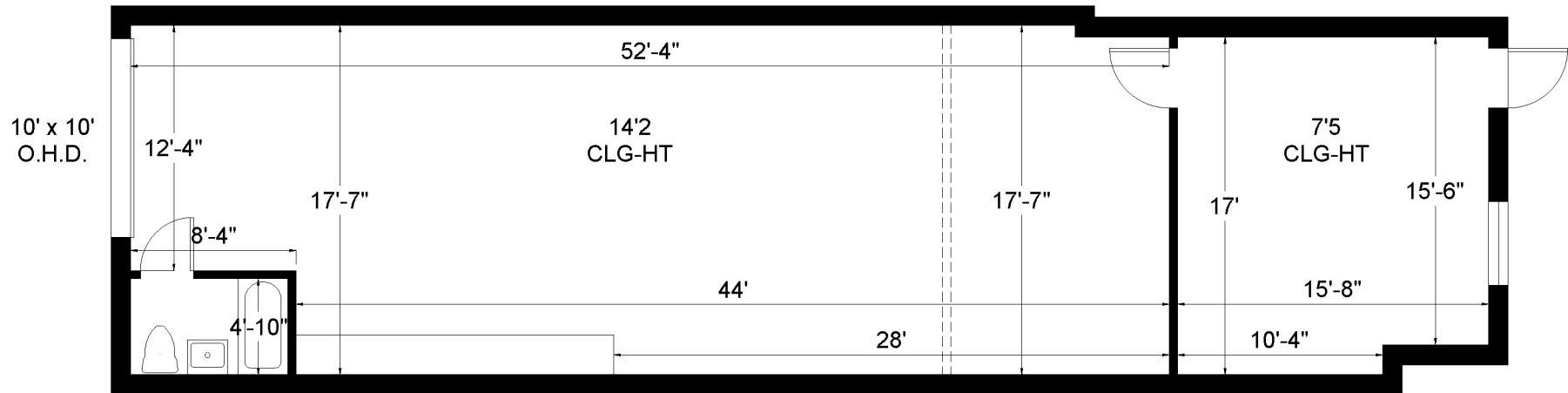


EAST LAUDERDALE WAREHOUSES

4807 NE 12th Avenue, Oakland Park, FL 33334



Office - 258 Sq. Ft.
Warehouse - 1,042 Sq. Ft.

Total area - 1,300 Sq. Ft.



Haley Presser | Property Manager | 954.254.5396 | Haley@levyrai.com
Angie Weaver | Broker / Property Manager | 917.645.2339 | Angie@levyrai.com
4901 NW 17th Way, Suite 103 | Ft. Lauderdale, FL 33309 www.LevyRealtyAdvisors.com