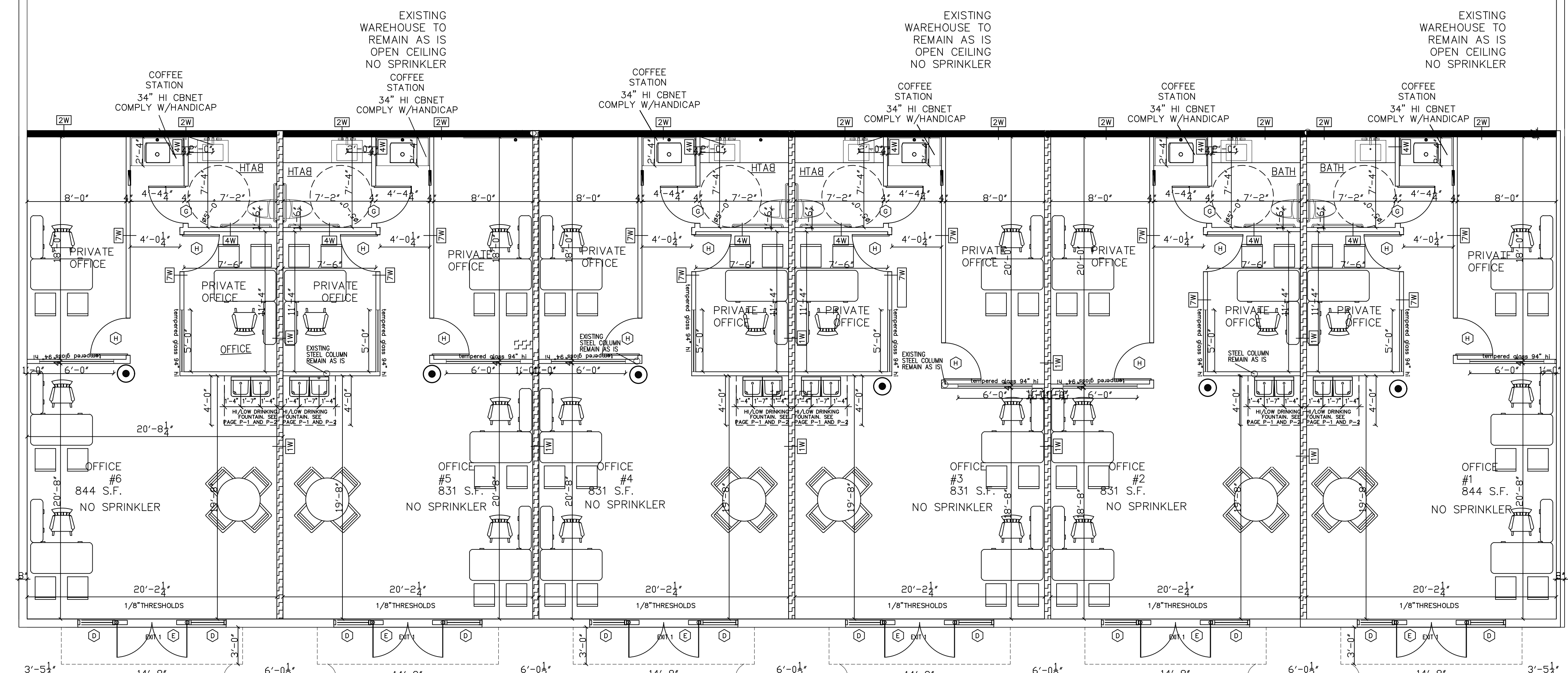
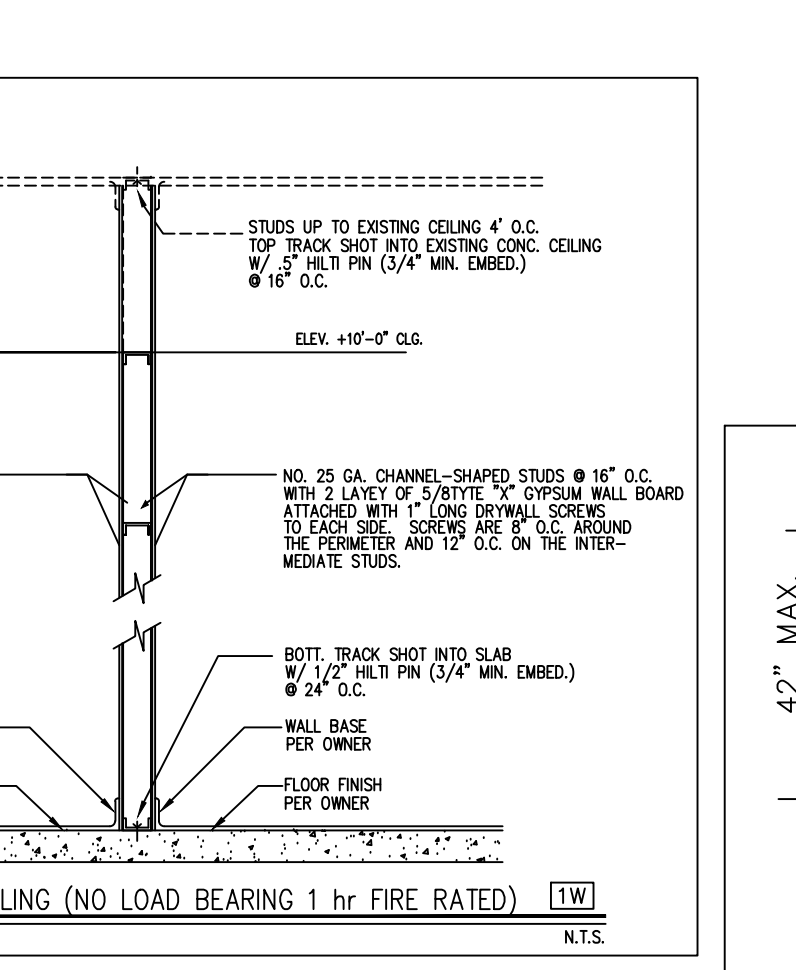
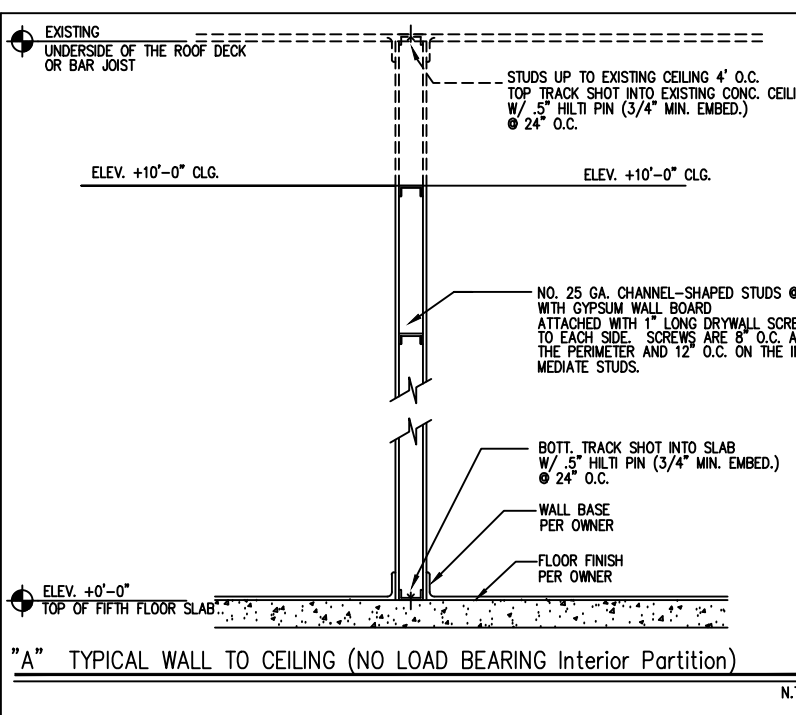
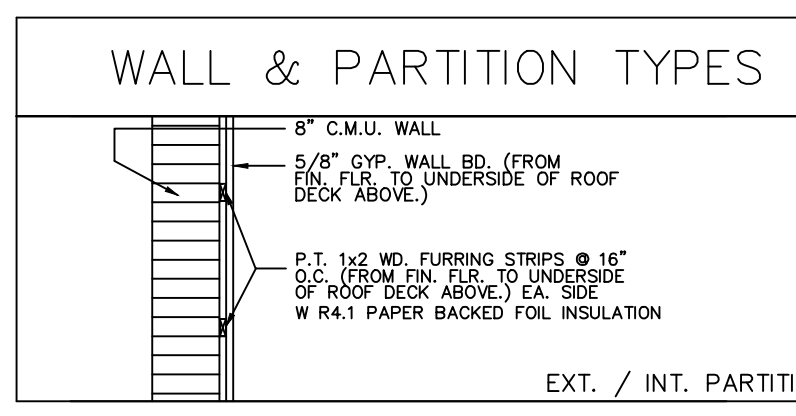
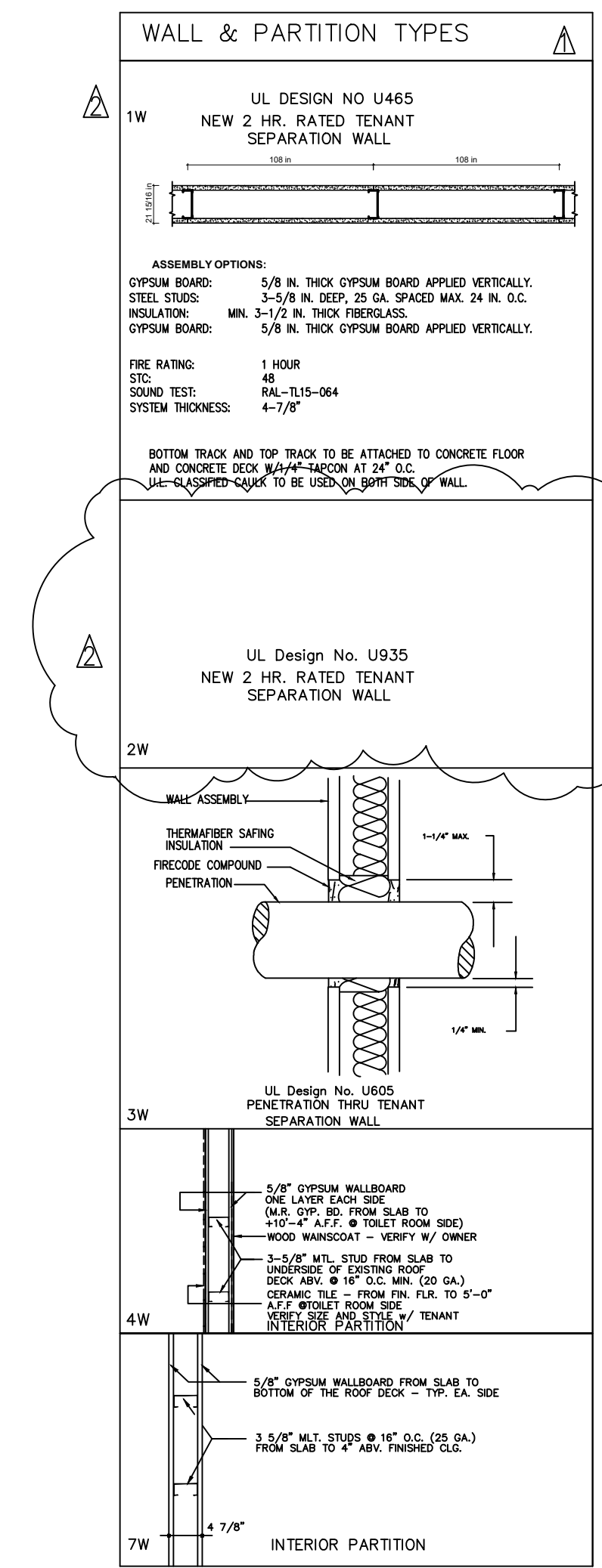
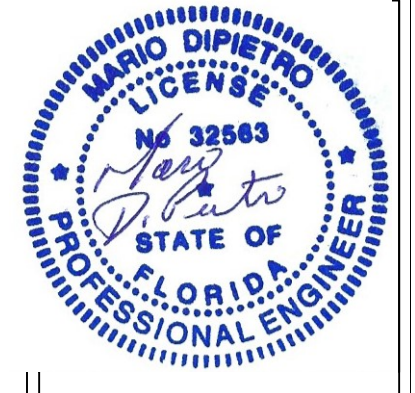


DESIGN ODYSSEY INC.
REG. # AA-28001971
965 W COMMERCIAL BLVD.
FORT LAUDERDALE FL 33309

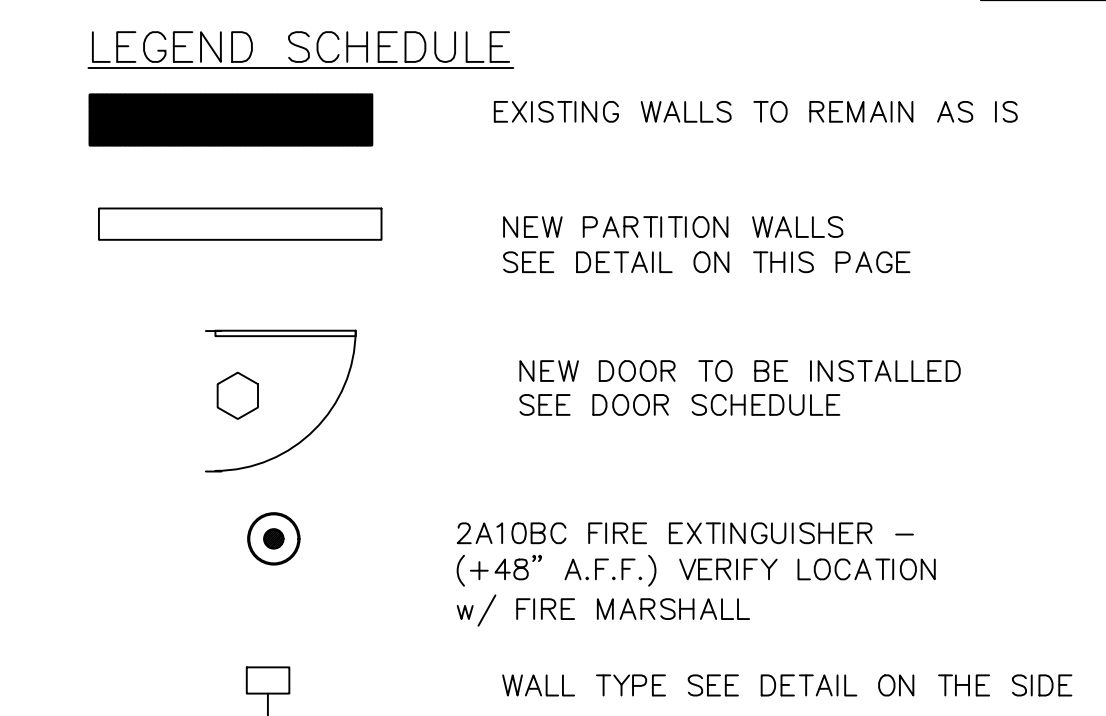
MDP ENGINEERING, INC.
Consulting Structural Engineers
336 S.W. SUN CIRCLE
PALM CITY, FL 34990
Phone: 954.243.4595
STATE OF FLORIDA P.E. NO. 32563 CA-6918

REVISIONS	BY
1-10-2022	TE
2-28-2023	TE



OFFICE #	AREA	AC AREA	TOTAL AC AREA
OFFICE 06	1930F N. 30 ROAD HOLLYWOOD FL 33021	844	844
OFFICE 01	AREA 844/150 = 6 PEOPLE	844	844
OFFICE 05	1930E N. 30 ROAD HOLLYWOOD FL 33021	844	844
OFFICE 01	AREA 844/150 = 6 PEOPLE	844	844
OFFICE 04	1930D N. 30 ROAD HOLLYWOOD FL 33021	844	844
OFFICE 01	AREA 844/150 = 6 PEOPLE	844	844
OFFICE 03	1930C N. 30 ROAD HOLLYWOOD FL 33021	844	844
OFFICE 01	AREA 844/150 = 6 PEOPLE	844	844
OFFICE 02	1930B N. 30 ROAD HOLLYWOOD FL 33021	844	844
OFFICE 01	AREA 844/150 = 6 PEOPLE	844	844
OFFICE 01	AREA 844/150 = 6 PEOPLE	844	844

ROOF AND WALL INSULATION SEE ENERGY CALCULATIONS FROM M E P ENGINEER



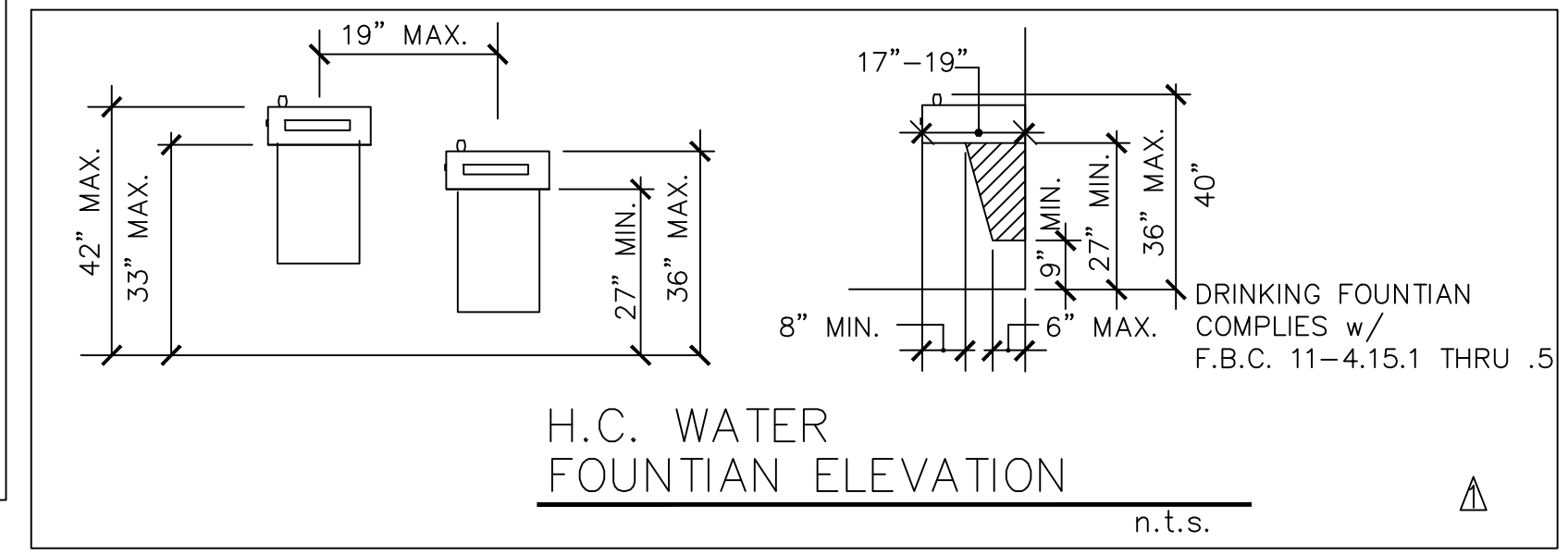
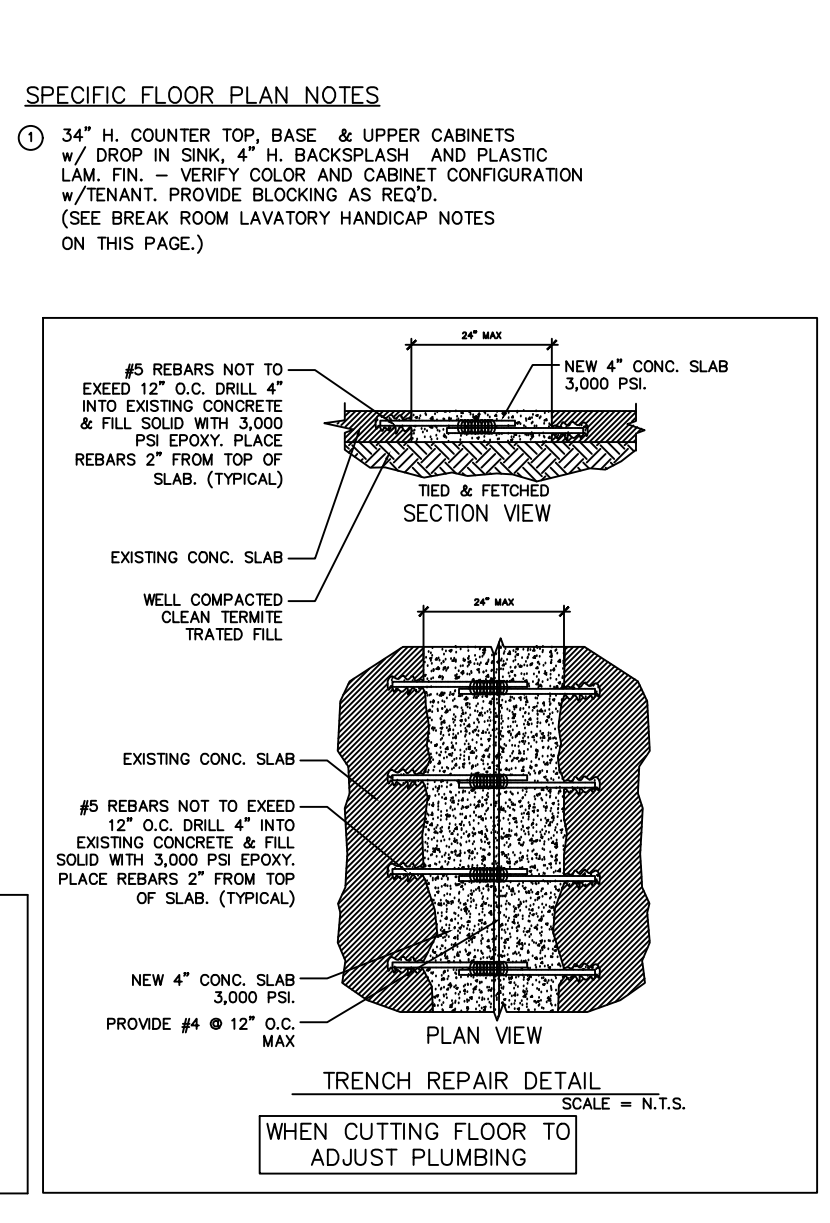
R-VALUES

ROOF R-19
EXPOSED FLOOR R-19
EXT. WALLS R-4.1
GLASS IMPACT U-0.94, SC-0.57, SHGC-0.50

DOOR AND WINDOW SCHEDULE

LABEL	W	H	T	TYPE	MATR'L	REMARKS
D	48"	96"	1 3/4"	STORE FRONT GLASS	WTL	NEW EXTERIOR STORE FRONT +33.48 -42.99
E	20 1/2"	96"	1 3/4"	SWING	WTL	NEW EXTERIOR DOOR +33.48 -42.99
F	36"	96"	1 3/4"	SWING	ALUM.	EXISTING EXTERIOR DOOR
G	36"	96"	1 3/4"	SWING	WD.	NEW BATHROOM DOOR
H	36"	96"	1 3/4"	SWING	temp. glass	NEW OFFICE DOOR

ALL HANDLES ON DOORS TO BE A LEVER TYPE



YELLOW GREEN FARMERS MARKET SIX OFFICES
1930 NORTH 30 ROAD
HOLLYWOOD, Florida 33021

DESIGN ODYSSEY Inc.
Architectural Design

965 W COMMERCIAL BLVD.
FORT LAUDERDALE FL 33309
Phone (954) 418-7111
Direct Ph. (954) 547-4441
Fax (954) 418-7110
e-mail: designodyssey@gmail.com
WWW.DESIGNODYSSEY.NET

DESIGNED BY: ABEY

DRAWN BY:

CHECKED BY:

DATE: 01-10-2022

Sheet: **A1**

4 of 7