



LEASE

Industrial Spaces with Dock Doors

1666-1684 S WOLF RD

Wheeling, IL 60124

PRESENTED BY:

JOHN JOYCE, CCIM SIOR

O: 847.233.1178

john.joyce@svn.com

MARGARET AMES

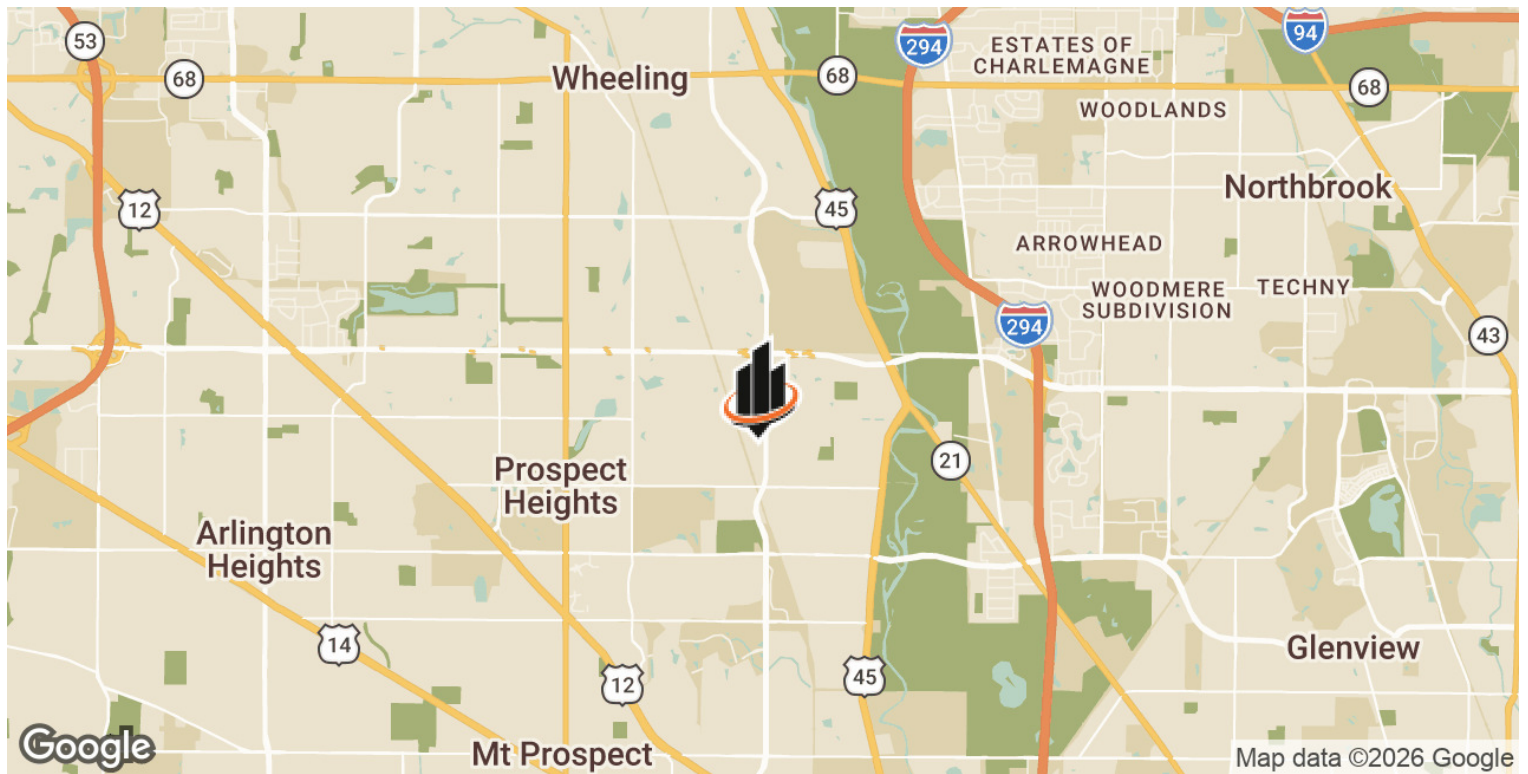
O: 847.233.1139

margaret.ames@svn.com



 **SVN**
CHICAGO COMMERCIAL

PROPERTY SUMMARY



OFFERING SUMMARY

LEASE RATE:	\$12.50 PSF MG
AVAILABLE SF:	2,640-7,116 SF
BUILDING SIZE	34,190 SF
YEAR BUILT:	1970
ZONING:	I-3
CLEAR HT:	14'
LOADING:	Truck-Level Docks

PROPERTY OVERVIEW

1666-1684 S Wolf Rd, Wheeling, known as the Palwaukee Commerce Center, is a flex building of 34,190 SF on 3 acres. Features 14' ceiling height, equipped with 10 exterior truck docks, a wet sprinkler system, and 62 surface parking spaces. The space is ideal for distribution or light assembly.

PROPERTY HIGHLIGHTS

- Ceiling Fans
- Painted Warehouse Walls
- Painted Warehouse Floors
- Warehouse Windows
- Air-Conditioned
- Humidity Control
- LED Lighting

JOHN JOYCE, CCIM SIOR

O: 847.233.1178
john.joyce@svn.com

MARGARET AMES

O: 847.233.1139
margaret.ames@svn.com

LEASE SPACES



LEASE INFORMATION

LEASE TYPE:	Modified Gross	LEASE TERM:	3 Year Minimum
TOTAL SPACE:	2,640-7,116 SF	LEASE RATE:	\$12.50 SF/yr

AVAILABLE SPACES

SUITE	SIZE (SF)	DESCRIPTION
1666 S Wolf Road	7,116 SF	Ceiling Fans, Warehouse Windows, Partially A/C, Available 7/1/2026 2 Loading Docks, 800 SF Office Area
1678 S Wolf Road	2,640 - 6,204 SF	Fully Air-conditioned, Available 8/1/2026 1 Loading Dock, 400 SF Office Area
1680 S Wolf Road	3,564 - 6,204 SF	Available 8/1/2026, 1 Loading Dock 1,130 SF office area

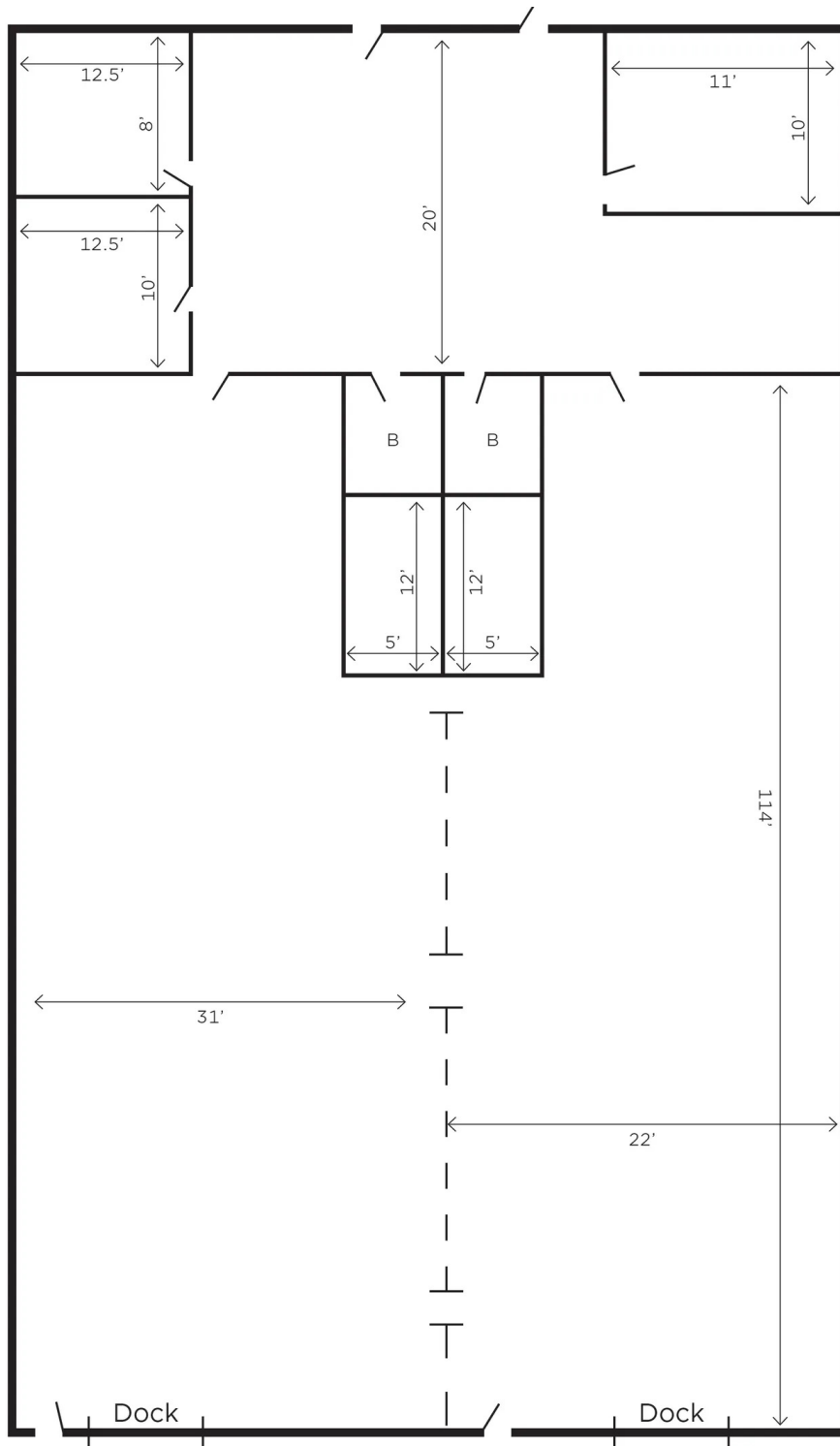
JOHN JOYCE, CCIM SIOR

O: 847.233.1178
john.joyce@svn.com

MARGARET AMES

O: 847.233.1139
margaret.ames@svn.com

1666-68 FLOORPLAN

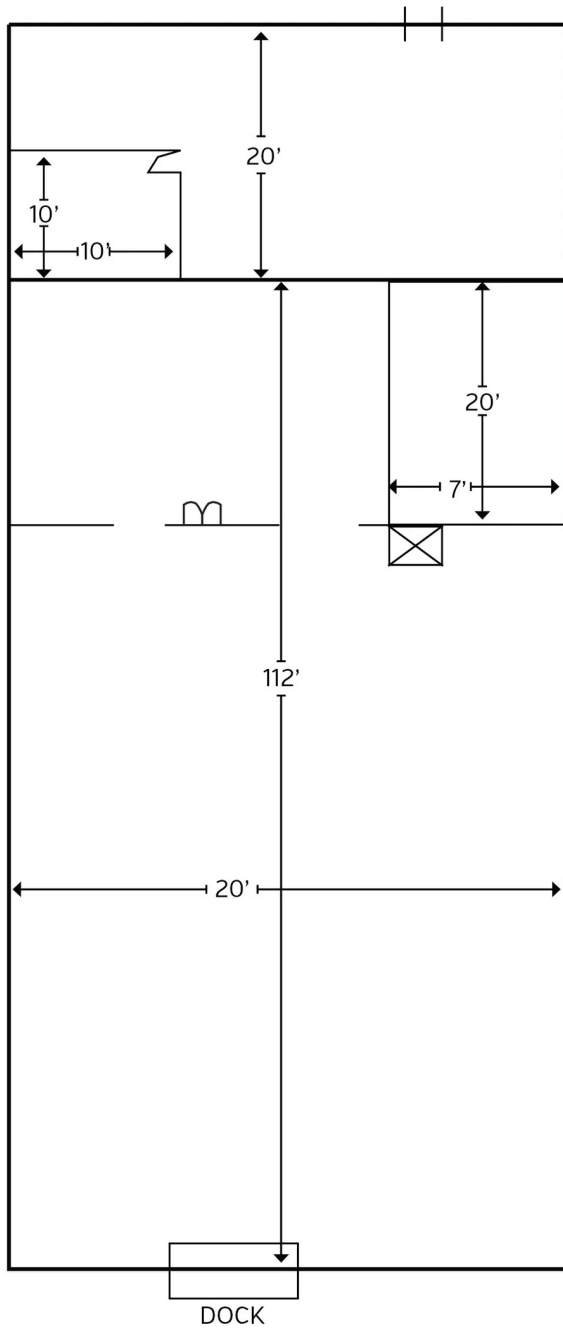


* Drawing is not to scale

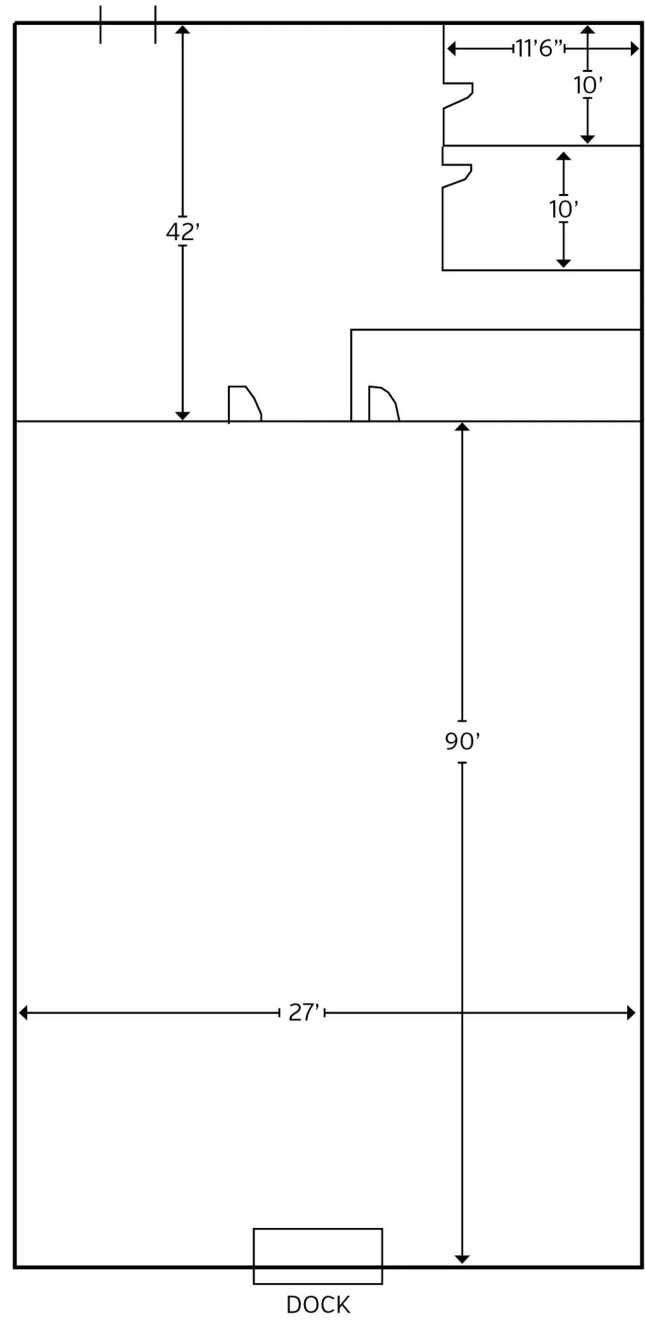
JOHN JOYCE, CCIM SIOR **MARGARET AMES**
O: 847.233.1178 O: 847.233.1139
john.joyce@svn.com margaret.ames@svn.com

1678-1680 FLOOR PLAN

1678 WOLF ROAD | WHEELING, IL 60090
FLOOR PLAN



1680 WOLF ROAD | WHEELING, IL 60090
FLOOR PLAN



JOHN JOYCE, CCIM SIOR **MARGARET AMES**
O: 847.233.1178 O: 847.233.1139
john.joyce@svn.com margaret.ames@svn.com

ADDITIONAL PHOTOS



JOHN JOYCE, CCIM SIOR
O: 847.233.1178
john.joyce@svn.com

MARGARET AMES
O: 847.233.1139
margaret.ames@svn.com

DISCLAIMER

The material contained in this Offering Brochure is furnished solely for the purpose of considering the lease of the property within and is not to be used for any other purpose. This information should not, under any circumstances, be photocopied or disclosed to any third party without the written consent of the SVN® Advisor or Property Owner, or used for any purpose whatsoever other than to evaluate the possible purchase of the Property.

The only party authorized to represent the Owner in connection with the sale of the Property is the SVN Advisor listed in this proposal, and no other person is authorized by the Owner to provide any information or to make any representations other than contained in this Offering Brochure. If the person receiving these materials does not choose to pursue a purchase of the Property, this Offering Brochure must be returned to the SVN Advisor.

Neither the SVN Advisor nor the Owner make any representation or warranty, express or implied, as to the accuracy or completeness of the information contained herein, and nothing contained herein is or shall be relied upon as a promise or representation as to the future representation of the Property. This Offering Brochure may include certain statements and estimates with respect to the Property. These Assumptions may or may not be proven to be correct, and there can be no assurance that such estimates will be achieved. Further, the SVN Advisor and the Owner disclaim any and all liability for representations or warranties, expressed or implied, contained in or omitted from this Offering Brochure, or any other written or oral communication transmitted or made available to the recipient. The recipient shall be entitled to rely solely on those representations and warranties that may be made to it in any final, fully executed and delivered Real Estate Purchase Agreement between it and Owner.

The information contained herein is subject to change without notice and the recipient of these materials shall not look to Owner or the SVN Advisor nor any of their officers, employees, representatives, independent contractors or affiliates, for the accuracy or completeness thereof. Recipients of this Offering Brochure are advised and encouraged to conduct their own comprehensive review and analysis of the Property.

This Offering Brochure is a solicitation of interest only and is not an offer to sell the Property. The Owner expressly reserves the right, at its sole discretion, to reject any or all expressions of interest to purchase the Property and expressly reserves the right, at its sole discretion, to terminate negotiations with any entity, for any reason, at any time with or without notice. The Owner shall have no legal commitment or obligation to any entity reviewing the Offering Brochure or making an offer to purchase the Property unless and until the Owner executes and delivers a signed Real Estate Purchase Agreement on terms acceptable to Owner, in Owner's sole discretion. By submitting an offer, a prospective purchaser will be deemed to have acknowledged the foregoing and agreed to release the Owner and the SVN Advisor from any liability with respect thereto.

To the extent Owner or any agent of Owner corresponds with any prospective purchaser, any prospective purchaser should not rely on any such correspondence or statements as binding Owner. Only a fully executed Real Estate Purchase Agreement shall bind the property and each prospective purchaser proceeds at its own risk.

JOHN JOYCE, CCIM SIOR **MARGARET AMES**
O: 847.233.1178 O: 847.233.1139
john.joyce@svn.com margaret.ames@svn.com