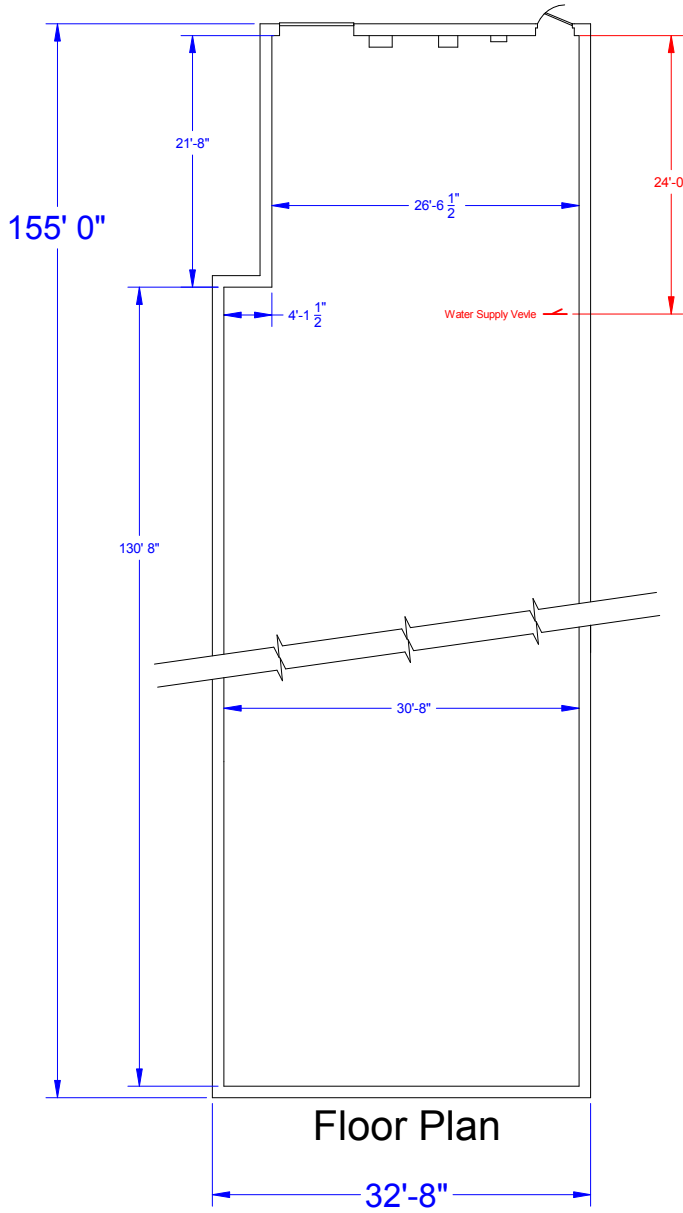


Rear Elevation

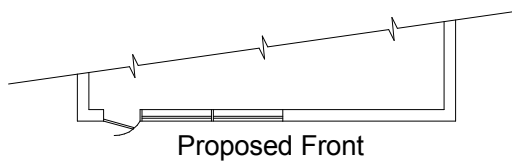
Willow Brook Shopping Center

Store #11b  
Vacant

5,000 Square Feet



Floor Plan



Proposed Front

**Store #11 B**  
Willowbrook Shopping Center

<b>Michael Singer Real Estate</b>	
DRAWN Mark Ferrante 8-14-14	Willow Brook Shopping Center
REV Mark Ferrante 11-10-14	Store # 11 B
SIZE	DWG NUMBER
B	A1 - 01
SCALE 1/8"=1'	REV - SHEET 1 OF 1