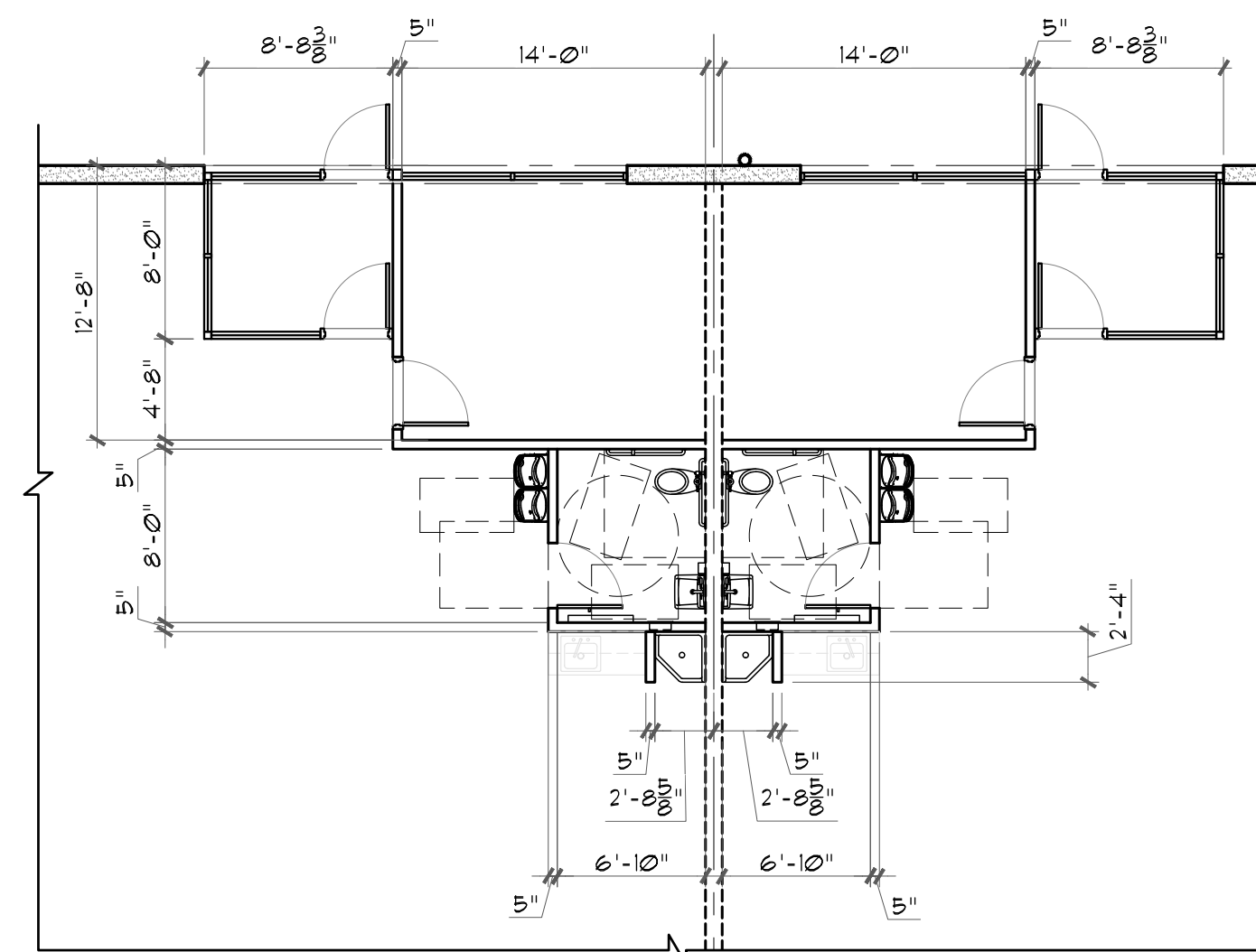


01 BUILDING A: PLAN
SCALE: N.T.S.

KEYNOTES:

- 1 KNOCKOUT PANEL
- 2 EXTERIOR ROOF LADDER & CAGE
- 3 EXTERIOR METAL OPEN GRATE STAIRCASE, LANDING AND HANDRAIL



02 TYP. ENTRY + OFFICE AREA PLAN
SCALE: 1/8" = 1'-0"

 <p>THE DIETZ PARTNERSHIP ARCHITECTS 90 East Halsey Road, Suite 201 • Parsippany, New Jersey 07054 • (973) 884-7400</p>		<p>CHARLES P. DIETZ ARCHITECT REGISTRATION NO. 1006</p> <p>DATE: _____ SIGNED: _____</p>												
<p>DESIGNED BY: CPD DRAWN BY: PD CHECKED BY: CPD APPROVED BY: CPD</p>		<p>BUILDING A WAYSIDE CROSSING WEST 1850 WAYSIDE RD. BLOCK: 109.03 LOT: 1 TINTON FALLS, NEW JERSEY</p>												
<p>ISSUE LOG</p> <table border="1"> <thead> <tr> <th>NO.</th> <th>DATE</th> <th>DESCRIPTION</th> </tr> </thead> <tbody> <tr> <td>10-09-24</td> <td></td> <td>ISSUED FOR MARKETING</td> </tr> <tr> <td>03-19-25</td> <td></td> <td>ISSUED FOR MARKETING</td> </tr> <tr> <td>03-25-25</td> <td></td> <td>ISSUED FOR MARKETING</td> </tr> </tbody> </table>		NO.	DATE	DESCRIPTION	10-09-24		ISSUED FOR MARKETING	03-19-25		ISSUED FOR MARKETING	03-25-25		ISSUED FOR MARKETING	<p>SCALE: AS NOTED</p> <p>DATE: _____</p> <p>SHEET NO.: A3.0</p> <p>JOB NUMBER: 23-010</p>
NO.	DATE	DESCRIPTION												
10-09-24		ISSUED FOR MARKETING												
03-19-25		ISSUED FOR MARKETING												
03-25-25		ISSUED FOR MARKETING												